

SOFAR

USER MANUAL

HYD 5~20KTL-3PH



Shenzhen SOFARSOLAR Co., Ltd.

Table of Content

| | |
|--|-----------|
| 1 About this manual..... | 4 |
| 1.1 Copyright declaration..... | 4 |
| 1.2 Structure of the manual..... | 4 |
| 1.3 Scope..... | 4 |
| 1.4 Target group..... | 5 |
| 1.5 Symbols used..... | 5 |
| 2 Basic safety information..... | 6 |
| 2.1 Safety information..... | 6 |
| 2.2 Symbols and signs..... | 10 |
| 3 Product features..... | 12 |
| 3.1 Product information..... | 12 |
| 3.2 Product dimensions..... | 13 |
| 3.3 Label on the device..... | 13 |
| 3.4 Functional features..... | 14 |
| 3.5 Application modes..... | 17 |
| 3.6 Connecting BTS 5K batteries..... | 22 |
| 4 Installation..... | 24 |
| 4.1 Installation information..... | 24 |
| 4.2 Installation procedure..... | 24 |
| 4.3 Examination before installation..... | 25 |
| 4.4 Connections..... | 25 |
| 4.5 Tools..... | 26 |
| 4.6 Installation Environment Requirements..... | 28 |
| 4.7 Installation location..... | 28 |

- 4.8 Unpacking the inverter..... 29
- 4.9 Installation of the inverter..... 31
- 5 Electrical connections..... 32**
- 5.1 Safety instructions..... 32
- 5.2 Wiring overview..... 34
- 5.3 System Electrical Topology..... 35
- 5.4 Smart Meter /CT..... 38
- 5.5 Electrical connection..... 43
- 5.6 Connecting the PE cables..... 43
- 5.7 Connecting the DC lines for the PV modules and battery..... 45
- 5.8 Connecting the AC power cables..... 48
- 5.9 AC connector installation..... 49
- 5.10 Communication interfaces..... 52
- 5.11 Feed-in limit function..... 68
- 5.12 System monitoring..... 68
- 5.13 Installation of the WiFi or Ethernet stick..... 69
- 6 Commissioning the inverter..... 74**
- 6.1 Safety test before commissioning..... 74
- 6.2 Double Check..... 74
- 6.3 Starting the inverter..... 74
- 6.4 Initial setup..... 75
- 6.5 Smartphone app SOFAR Setting..... 77
- 7 Operation of the device..... 78**
- 7.1 Control panel and display field..... 78
- 7.2 Standard display..... 79
- 7.3 Energy storage modes..... 80

| | |
|--|------------|
| 7.4 Menu structure..... | 85 |
| 7.5 Firmware update..... | 94 |
| 8 Troubleshooting handling..... | 95 |
| 8.1 Troubleshooting..... | 95 |
| 8.2 Error list..... | 96 |
| 8.3 Maintenance..... | 113 |
| 9 DataSheet..... | 115 |

1 About this manual

This manual contains important safety information that must be observed during installation and maintenance of the device.

Carefully read this manual before use and retain it for future reference!

This manual must be treated as an integral component of the device. The manual must be kept in close proximity to the device, including when it is handed over to another user or moved to a different location.

1.1 Copyright declaration

The copyright of this manual is owned by SOFAR. It may not be copied – neither partially nor completely – by companies or individuals (including software, etc.) and must not be reproduced or distributed in any form, or with the appropriate means.

SOFAR reserves the right to final interpretation. This manual may be amended following feedback from users or customers. Please consult our website at <http://www.sofarsolar.com> for the latest version.

The current version was updated on 11/3/23.

1.2 Structure of the manual

This manual contains important safety and installation instructions that must be observed during installation and maintenance of the device.

1.3 Scope

This product manual describes the installation, electrical connection, commissioning, maintenance and fault elimination procedures of the **HYD 5/6/8/10/15/20KTL-3PH** inverters.

1.4 Target group

This manual is intended for specialist electrical engineers who are responsible for the installation and commissioning of the inverter in the PV system, as well as the PV system operators.

1.5 Symbols used

This manual contains information on safe operation and uses symbols to ensure the safety of persons and property as well as the efficient operation of the inverter. Please read through the following symbol explanations carefully in order to prevent injury or property damage.

DANGER

Non-observance will result in death or serious injury.

- Follow the warnings in order to prevent death or serious injury!

WARNING

Non-observance may result in death or serious injury.

- Follow the warnings in order to prevent serious injury!

CAUTION

Non-observance may result in minor injury.

- Follow the warnings in order to prevent injury!

ATTENTION

Non-observance may result in property damage!

- Follow the warnings in order to prevent damage to or destruction of the product.

NOTE

- Provides tips essential to the optimal operation of the product.

2 Basic safety information

NOTE

- If you have any questions or problems after reading the following information, please contact SOFAR

This chapter details the safety information pertaining to the installation and operation of the device.

2.1 Safety information

Read and understand the instructions within this manual and familiarize yourself with the relevant safety symbols in this chapter before beginning with the installation of the device and eliminating any faults.

Before connecting to the power grid, you must obtain official authorized from the local power grid operator in accordance with the corresponding national and state requirements. Furthermore, operation may only be carried out by qualified electricians.

Please contact the nearest authorized service centre if any maintenance or repairs are required. Please contact your dealer to obtain information about your nearest authorized service centre. Do NOT carry out repairs on the device yourself; this may lead to injury or property damage.

Before installing the device or carrying out maintenance on it, you must open the DC switch in order to interrupt the DC voltage of the PV generator. You can also switch off the DC voltage by opening the DC switch in the generation junction box. Not doing this may result in serious injury.

2.1.1 Qualified personnel

Personnel tasked with the operation and maintenance of the device must have the qualifications, competence and experience required to perform the described tasks, while also being capable of fully understanding all instructions contained

within the manual. For safety reasons, this inverter may only be installed by a qualified electrician who:

- has received training on occupational safety, as well as the installation and commissioning of electrical systems
- is familiar with the local laws, standards and regulations of the grid operator.

SOFAR assumes no responsibility for the destruction of property or any injuries to personnel caused by improper usage.

2.1.2 Installation requirements

Please install the inverter according to the information contained in the following section. Mount the inverter to a suitable object with a sufficient load-bearing capacity (e.g. walls, PV frames etc.) and ensure that the inverter is upright. Choose a suitable place for the installation of electrical devices. Ensure that there is sufficient space for an emergency exit which is suitable for maintenance. Ensure sufficient ventilation in order to guarantee an air circulation for the cooling of the inverter.

2.1.3 Transport requirements

The factory packaging is specifically designed to prevent transport damage, i.e. violent shocks, moisture and vibrations. However, the device must not be installed if it is visibly damaged. In this case, notify the responsible transport company immediately.

2.1.4 Label on the device

The labels must NOT be concealed by items and foreign objects (rags, boxes, devices, etc.); they must be regularly cleaned and kept clearly visible at all times.

Observe all applicable electrical regulations when working with the Solar inverter.

 **DANGER**

Dangerous DC voltage

- Before establishing the electrical connection, cover the PV modules using opaque material or disconnect the PV generator from the inverter. Solar radiation will cause dangerous voltage to be generated by the PV generator!

 **DANGER**

Danger through electric shock!

- All installations and electrical connections may only be carried out by trained electricians!

IMPORTANT

Authorization for grid feed-in

- Obtain authorization from the local power grid operator before connecting the inverter to the public power grid.

NOTE

Voiding of guarantee

- Do not open the inverter or remove any of the labels. Otherwise, SOFAR shall assume no guarantee.

2.1.5 Operation

 **DANGER**

Electric shock

- Contact with the electrical grid or the device's terminals may result in an electric shock or fire!
- Do not touch the terminal or the conductor which is connected to the electrical grid.
- Follow all instructions and observe all safety documents that refer to the grid connection.

⚠ CAUTION**Burning due to hot housing**

- While the inverter is being operated, several internal components will become very hot.
- Please wear protective gloves!
- Keep children away from the device!

2.1.6 Repair and maintenance**⚠ DANGER****Dangerous voltage!**

- Before carrying out any repair work, first switch off the AC circuit breaker between the inverter and power grid, and then the DC switch.
- After switching off the AC circuit breaker and the DC switch, wait a minimum of 5 minutes before starting any maintenance or repair work.

IMPORTANT**Unauthorized repairs!**

- Following the elimination of any faults, the inverter should be fully functional once more. Should any repairs be required, please contact a local authorized service centre.
- The internal components of the inverter must NOT be opened without the relevant authorization. Shenzhen SOFARSOLAR Co., Ltd. assumes no responsibility for any resulting losses or defects.

2.2 Symbols and signs

CAUTION

Beware of burning hazards due to the hot housing!

- While the inverter is in operation, only touch the display and the buttons, as the housing can become hot.

ATTENTION

Implement earthing!

- The PV generator must be earthed in accordance with the requirements of the local power grid operator!
- For reasons of personal safety, we recommend that all PV module frames and inverters of the PV system are reliably earthed.











WARNING

Damage due to overvoltage

- Ensure that the input voltage does not exceed the maximum permissible voltage. Overvoltage may cause long-term damage to the inverter, as well as other damage that is not covered by the warranty!

2.2.1 Symbols on the inverter

Several symbols pertaining to safety can be found on the inverter. Please read and understand the content of these symbols before starting the installation.

| Symbol | Description |
|---|--|
|  | Residual voltage is present in the inverter! Before opening the inverter, you should wait five minutes to ensure that the capacitor has been fully discharged. |
|  | Caution! Danger through electric shock |
|  | Caution! Hot surface |
|  | The product is compliant with EU guidelines |
|  | Earthing point |
|  | Please read the manual before installing the inverter |
|  | Device degree of protection according to EN 60529 |
|  | Positive and negative poles of the DC input voltage |
|  | The inverter must always be transported and stored with the arrows pointing upward |
|  | RCM (Regulatory Compliance Mark) The product meets the requirements of the applicable Australian standards. |

3 Product features

This chapter describes the product features, dimensions and efficiency levels.

3.1 Product information

The HYD 5/6/8/10/15/20KTL-3PH is a grid-coupled PV and energy storing inverter which can also supply energy in stand-alone operation. The HYD 5/6/8/10/15/20KTL-3PH has integrated energy management functions which cover a wide range of application scenarios.

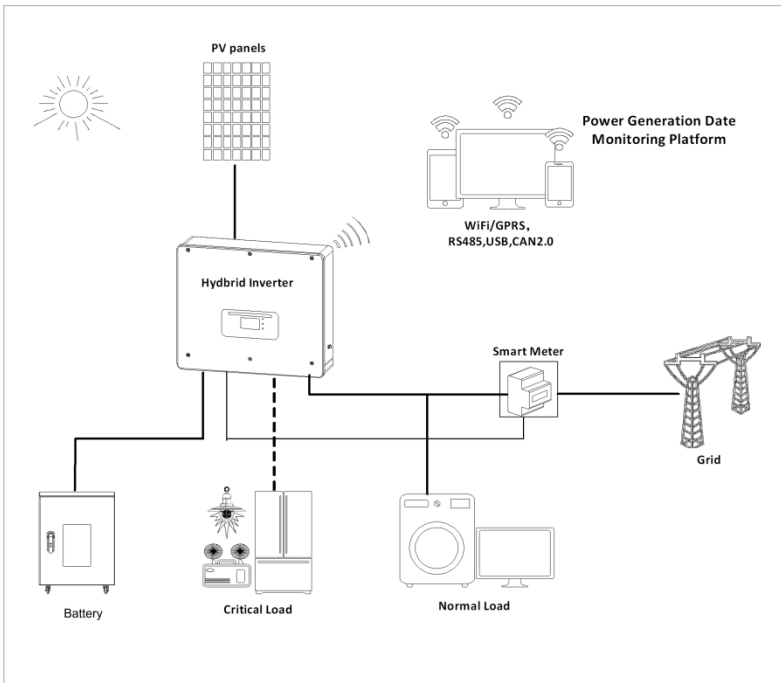


Figure. 3-1 HYD 5/6/8/10/15/20KTL-3PH inverter system diagram
 HYD 5/6/8/10/15/20KTL-3PH inverters may only be used with photovoltaic modules which do not require one of the poles to

be earthed. In normal operation, the operating current must not exceed the limits specified within the technical data.

The selection of the optional inverter parts must be determined by a qualified technician who has good knowledge of the installation conditions.

3.2 Product dimensions

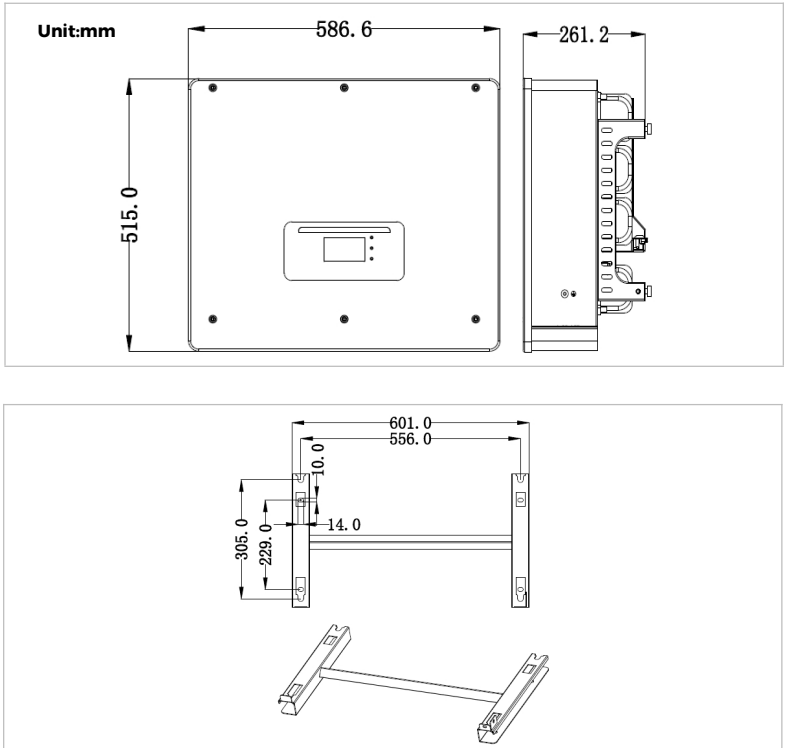


Figure. 3-2 Size chart

3.3 Label on the device

Label must not be covered or removed!

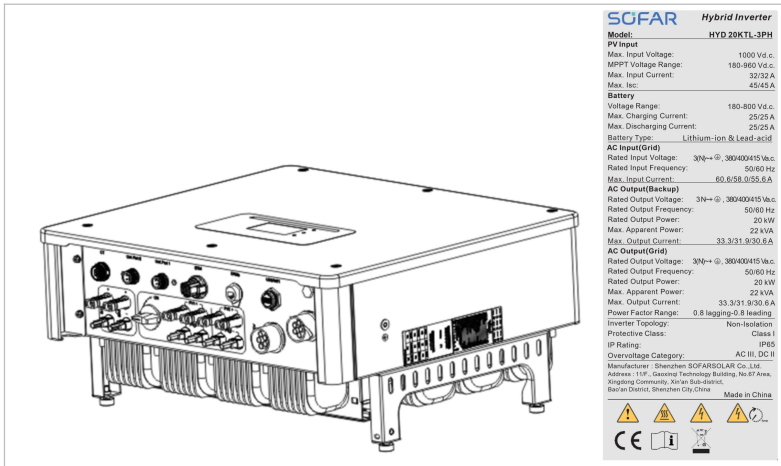


Figure. 3-3 HYD 5/6/8/10/15/20KTL-3PH appearance and label

NOTE

- The picture is only for reference, please make the object as the standard.

3.4 Functional features

The DC output generated by the PV generator can be used for both grid feed-in and battery charging.

The battery can supply the energy to the grid or the consumer. The emergency current supply mode (EPS) can provide inductive loads such as air conditioning systems or refrigerators with an automatic switchover time of less than 10 milliseconds, and a temporary overload of up to 10% is possible.

3.4.1 Functions

1. Two MPP trackers with 1.5-fold DC overload
2. Flexible switching between on-grid operation and energy storage operation
3. Maximum efficiency when charging and discharging the battery (97.8%)
4. Up to 2 battery strings with a combined maximum charging and discharging current of 50 A

5. Wide battery input voltage range (180-800 V)
6. The EPS output can be connected to unbalanced loads
7. Up to 6 inverters can operate in parallel at the EPS connection and AC connection
8. Monitoring via RS485 and WiFi, optionally via Bluetooth

3.4.2 Electrical block diagram

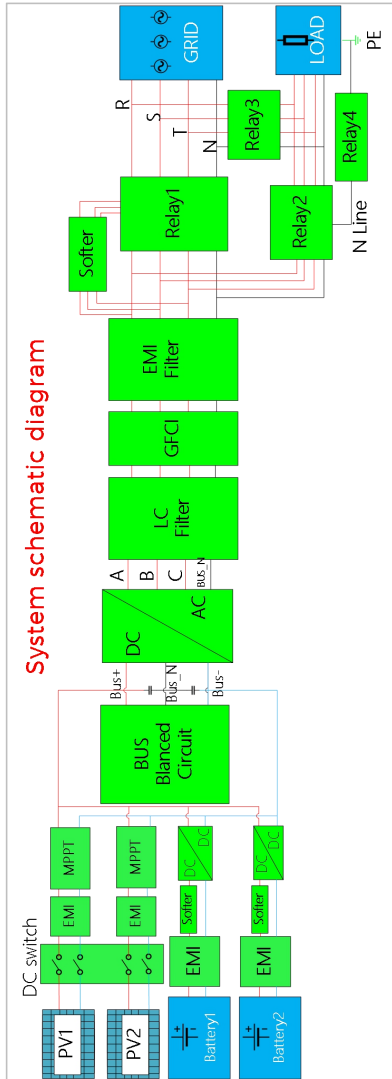


Figure. 3-4 Electrical block diagram

3.5 Application modes

3.5.1 Typical energy storage system

A typical energy storage system with PV panels and battery unit(s), connected to the grid.

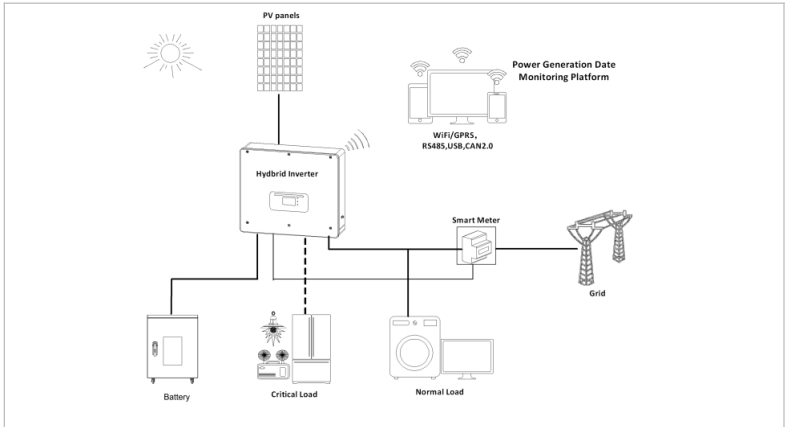


Figure. 3-5 Typical energy storage system

3.5.2 System without PV connection

In this configuration, there are no PV panels connected and the battery is charged through the grid connection.

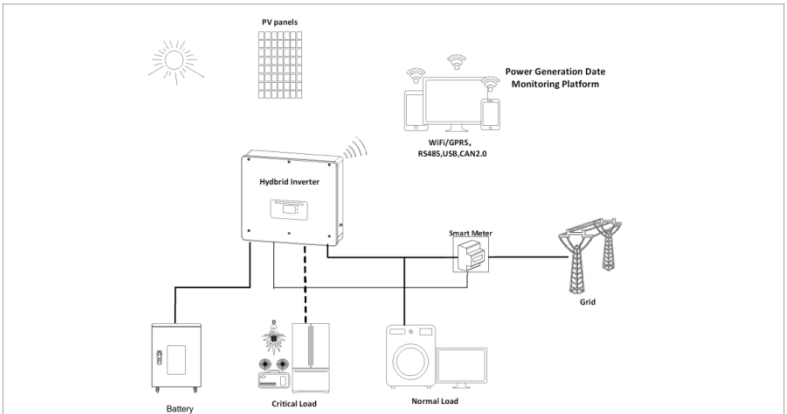


Figure. 3-6 System without PV connection

3.5.3 System without battery

In this configuration, the battery unit(s) can be added later.

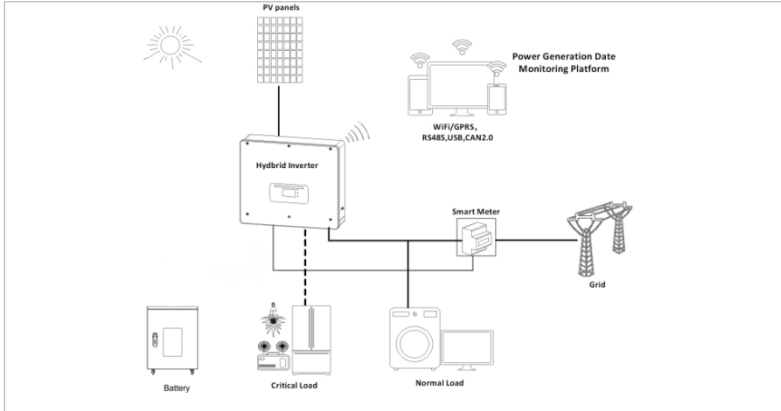


Figure. 3-7 System without battery

3.5.4 Back-up mode (off-grid)

When there is no grid connection, the PV panels and the battery will provide electricity to the critical load.

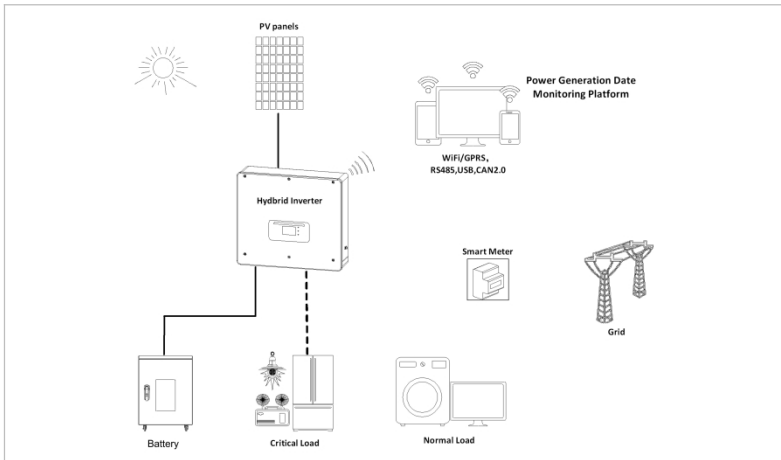


Figure. 3-8 Back-up mode(Off-Grid)

NOTE

Off-grid carrying capacity

- In off-grid mode, the inverter's ability to support capacitive and inductive loads is 1/3 of the single-phase rated power.

3.5.5 System with multiple inverters (5-120 kW)

Up to 6 inverters can be connected in parallel, to the grid and EPS connections, resulting in an EPS output of up to 120 kVA.

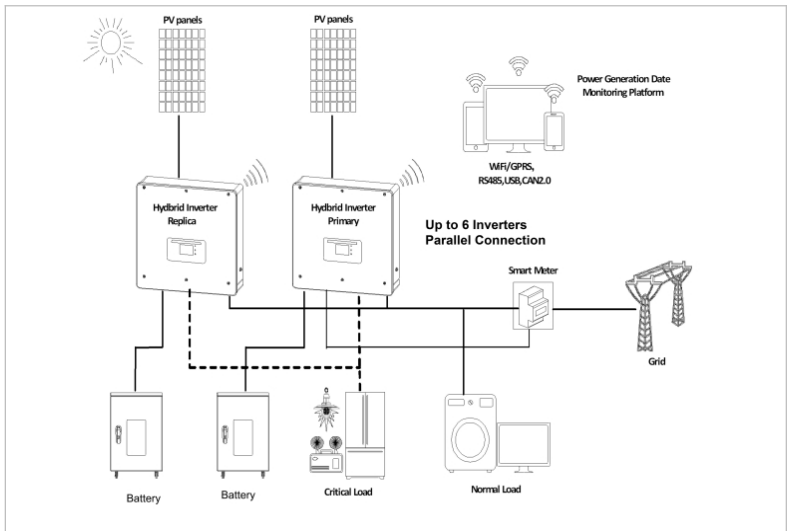


Figure. 3-9 System with multiple inverter

NOTE

- Multiple inverters connected in parallel shall be of the same power model with the same power and battery configuration.
- The smart meter or CTs are connected to the Master inverter. Control of all inverters takes place via the link cable.
- For the parallel switching of several devices, it is recommended to use a joint AC load break switch for the connected loads at the LOAD connection.

- For the parallel switching of several devices, it is recommended to use a joint AC load break switch for the connected loads at the GRID connection.
- In order to evenly distribute the loads among the inverters, the cable length between each output and the load must be the same.
- If the maximum apparent power of a load is greater than 110% of the inverter's rated output, the device must not be connected via the AC LOAD terminal, but rather directly to the grid.

3.5.6 AC retrofit system

In this system configuration, the hybrid system for an already existing PV system is supplemented with a solar inverter of any brand. By installing a second smart meter, the PV production can be taken into account and used for charging the battery.

NOTE

- The communication address of meter 1 should be set to 1. Similarly, the communication address of meter 2 should be set to 2.

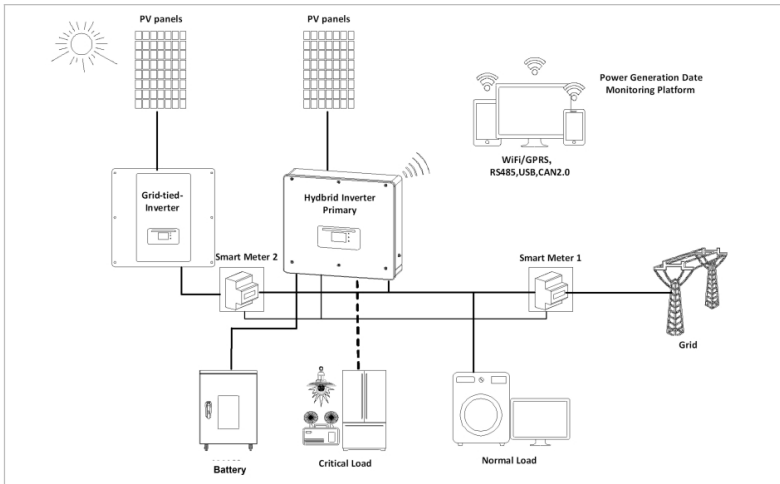


Figure. 3-10 AC retrofit system

3.5.7 Unbalanced load

By enabling the “Unbalanced load” option, the inverter compensates unbalanced loads either in EPS mode.

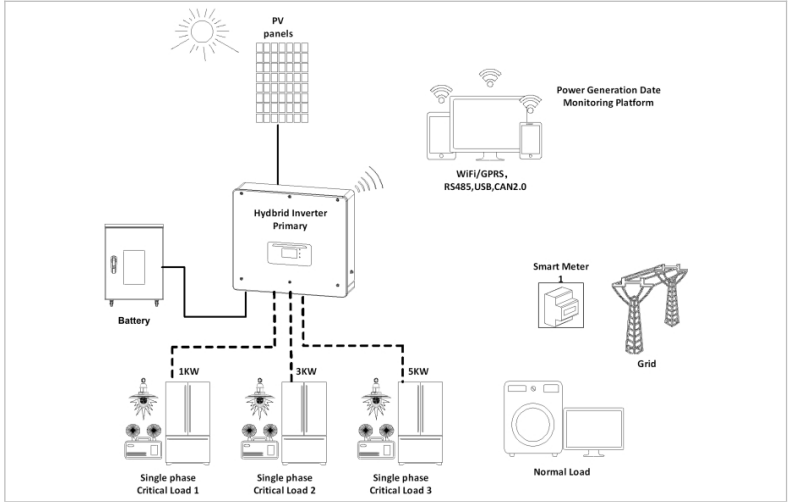


Figure. 3-11 Unbalanced load(EPS mode)

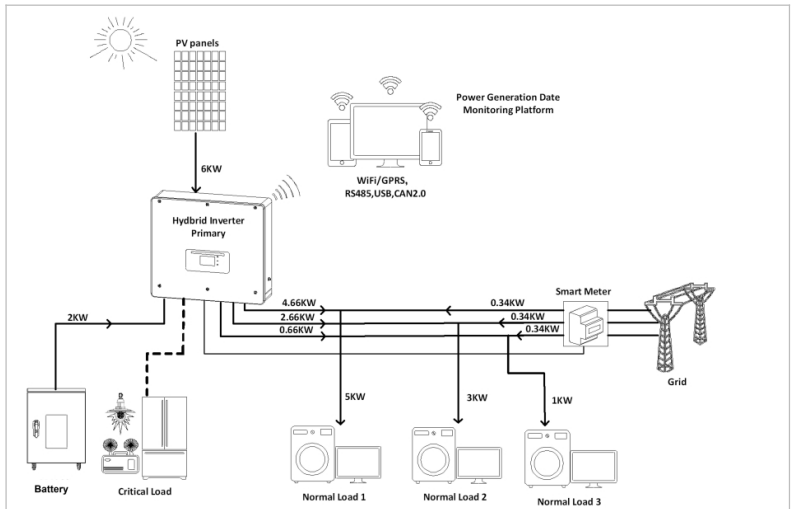


Figure. 3-12 Unbalanced load(On Grid)

3.6 Connecting BTS 5K batteries

Using SOFAR's own battery module BTS 5K is a way to build scalable battery systems. A BTS E5-DS5 battery system has a nominal capacity of 5.12 kWh, allowing multiple configurations for one tower from 5.12 kWh (BTS E5-DS5) to 20.48 kWh (BTS E20-DS5). The parallel battery are rated at 400V and the individual battery are rated at 7A.

The HYD 5/6/8KTL-3PH models have one battery input (max. current 25 A), and the HYD 10/15/20KTL-3PH models have two battery inputs (max. current 25 A / 25 A).

Below diagram is an example of how to connect the BTS battery system to SOFAR's HYD 10/15/20KTL-3PH.

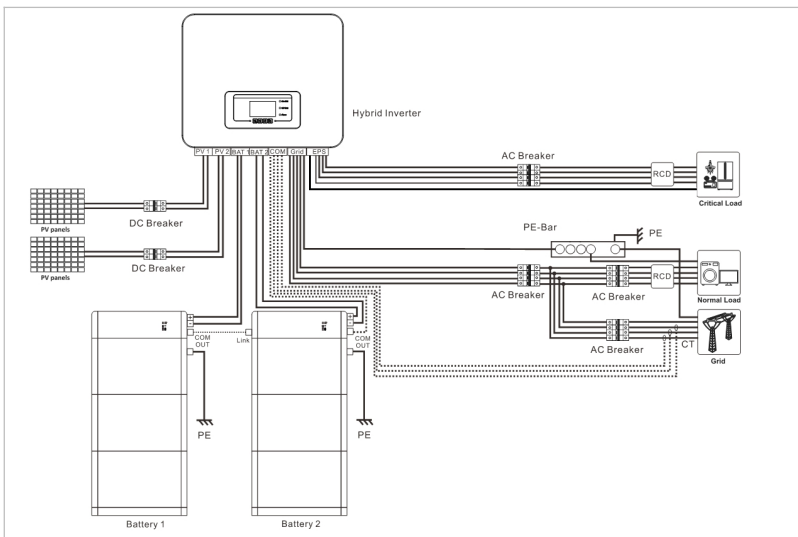


Figure. 3-13 System with BTS 5K battery

NOTE

- Configuration of the battery setup should only be done when the inverter is in standby mode!
- Advanced Settings – 10. Switch on / off – Switch Off
- If a battery input is unused, ensure to set this in the

inverter's system settings, for example:

- System Settings – Input Channel Config – Bat Channel2 – Not Used.
- The battery inputs of different inverters should not be connected in parallel
- Each battery tower corresponds to a unique battery address. "Auto Config. Address" will detect the number and addresses of the connected batteries automatically within 2-3 Minutes.
- In certain regions there are specific local safety requirements of the power grid. Ensure to comply with all local safety requirements.
- According to the Australian safety regulations, the neutral cables on the grid-connected side and EPS side must be connected together. Otherwise the EPS cannot be used.

4 Installation

4.1 Installation information

DANGER

Fire hazard

- Do NOT install the inverter on flammable material.
- Do NOT install the inverter in an area in which flammable or explosive material is stored.

CAUTION

Burning hazard

- Do NOT install the inverter in places where it can be accidentally touched. The housing and heat sink may become very hot while the inverter is being operated.

IMPORTANT

Weight of the device

- Take into account the weight of the inverter when transporting and moving it.
- Choose a suitable installation location and surface.
- Commission a minimum of two persons for the installation of the inverter.
- Do not set down the inverter overhead.

4.2 Installation procedure

Mechanical installation is performed as follows:

1. Examine the inverter before installation
2. Prepare the installation
3. Select an installation location
4. Transport the inverter
5. Mount the rear panel
6. Install the inverter

4.3 Examination before installation

4.3.1 Checking the external packaging materials

Packaging materials and components may become damaged during transportation. Therefore, the external packaging materials must be examined before the inverter is installed. Check the external packaging material for damage, e.g. holes and cracks. If you discover any damage, do not unpack the inverter and contact the transport company and/or dealer immediately. It is recommended that the packaging material should be removed within 24 hours before installing the inverter.

4.3.2 Checking the delivery scope

After unpacking the inverter, check that the delivery items are both intact and complete. In the event of any damage or missing components, contact the wholesaler.

4.4 Connections

⚠ CAUTION

Damage during transportation

- Please check the product packaging and connections carefully prior to installation.

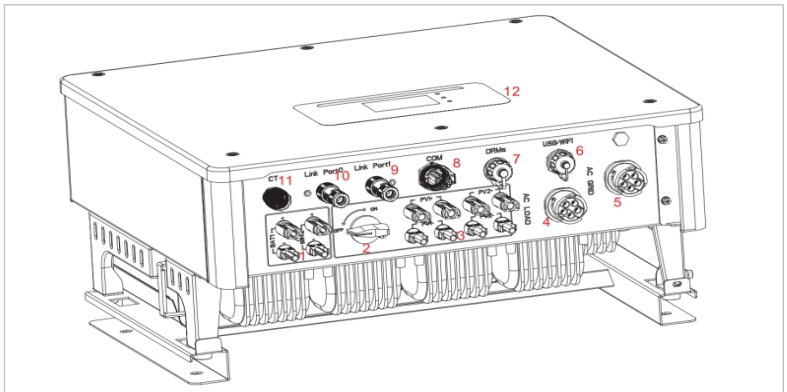


Figure. 4-1 HYD 5/6/8/10/15/20KTL-3PH inverter overview

| | |
|----------------------------------|----------------------------|
| ① Battery connection | ② DC switch |
| ③ PV input terminals | ④ AC load connection |
| ⑤ AC grid connection | ⑥ USB/WiFi |
| ⑦ DRMs | ⑧ Communication connection |
| ⑨ Link port 1 | ⑩ Link port 0 |
| ⑪ Current sensor connection (CT) | ⑫ LCD display |




NOTE

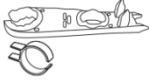
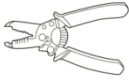

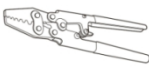

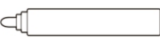

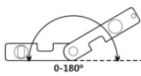



- The number of Battery input terminals depends on the Rated Power:
 HYD 5/6/8KTL-3PH 2pcs
 HYD 10/15/20KTL-3PH 4pcs
- The number of PV input terminals depends on the Rated Power:
 HYD 5/6/8KTL-3PH 4pcs
 HYD 10/15/20KTL-3PH 8pcs

4.5 Tools

Prepare the tools required for the installation and the electrical connection.

Table. 4-1 Tools required for installation and electrical connections

| No. | Tool | Model | Function |
|-----|---|---|--|
| 01 |  | Hammer drill Recommended drill diameter: 8mm | Used to drill holes in the wall. |
| 02 |  | Screwdriver | Wiring |
| 03 |  | Phillips screwdriver | Used to remove and install the screws of |

| No. | Tool | Model | Function |
|-----|---|----------------------------|--|
| | | | the AC terminal |
| 04 |  | Removal tool | Used to remove the PV , battery terminal |
| 05 |  | Wire stripper | Used to strip the wire |
| 06 |  | 6mm Allen key | Used to turn the screw to connect the rear panel to the inverter |
| 07 |  | Crimping tool | Used to crimp power cables |
| 08 |  | Multimeter | Used to check the earthing |
| 09 |  | Marker | Used for marking |
| 10 |  | Measuring tape | Used to measure distances |
| 11 |  | Spirit level | Used to align the wall bracket |
| 12 |  | ESD gloves | for the installer |
| 13 |  | Safety goggles | for the installer |
| 14 |  | Anti-dust respiratory mask | for the installer |

4.6 Installation Environment Requirements

- Choose a dry, clean, and tidy place, convenient for installation.
- Ambient temperature range: -30~+60°C.
- Relative humidity: 5-95% (non-condensed).
- The inverter shall be installed in a well-ventilated place.
- Do not place the inverter close to flammable or explosive materials.
- The AC overvoltage category of the inverter is category II.
- Maximum altitude: 4000m
- Pollution degree: 4

4.7 Installation location

Choose a suitable position for the installation of the inverter. Ensure that the following requirements have been fulfilled:

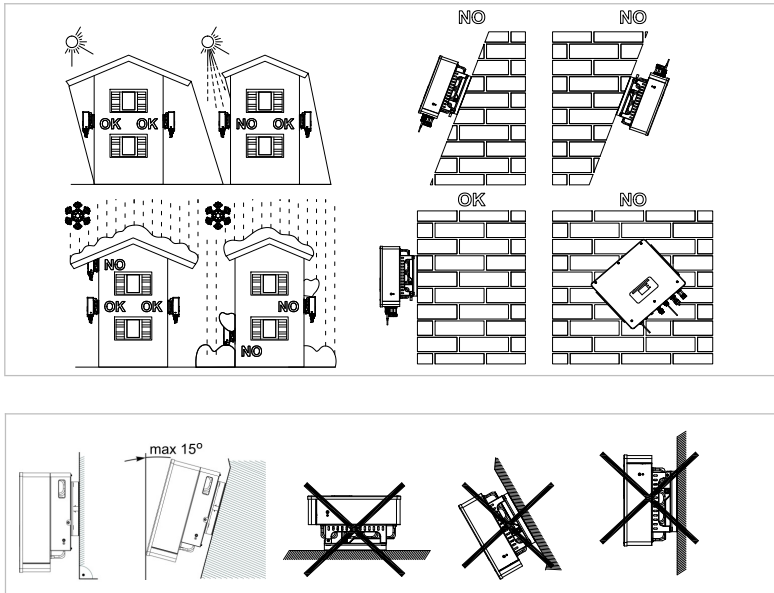


Figure. 4-2 Installation Position of HYD 5/6/8/10/15/20KTL-3PH

Minimum distances for individual **HYD 5/6/8/10/15/20KTL-3PH** inverters:

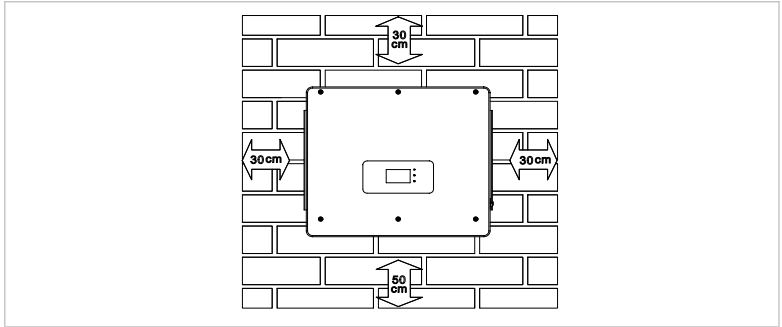


Figure. 4-3 Minimum distances for individual inverter

Minimum distances for several **HYD 5/6/8/10/15/20KTL-3PH** inverters:

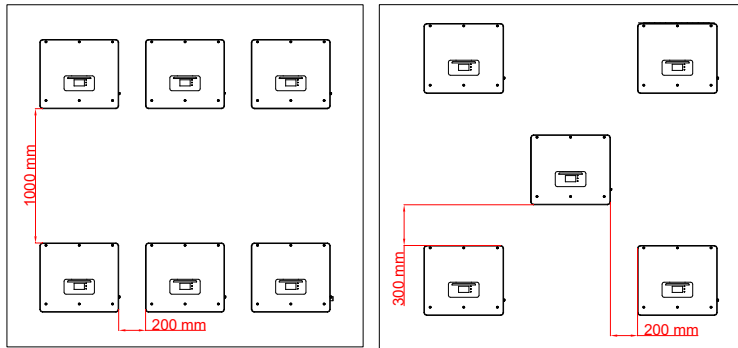


Figure. 4-4 Minimum distances for several inverter

4.8 Unpacking the inverter

1. Open the packaging and grip underneath the inverter at the sides with both hands.

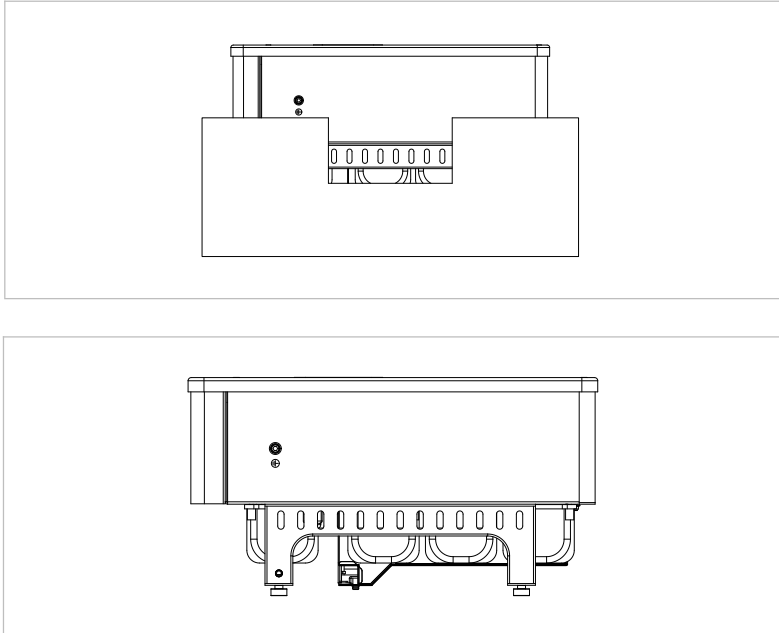


Figure. 4-5 Moving the inverter

2. Lift the inverter out of the packaging and move it to its installation position.

ATTENTION

Mechanical damage

- In order to prevent injuries and damage to the device, ensure that the inverter is kept balanced while it is being moved - it is very heavy.
- Do not place the inverter on its connections, as these are not designed to bear its weight. Place the inverter horizontally on the ground.
- When you place the inverter on the ground, place foamed material or paper underneath it in order to protect its housing.

4.9 Installation of the inverter

1. Hold the wall bracket in the desired place and mark the four holes. Put the wall bracket aside and drill the holes.
2. Guide the spread screw M8*80 into the hole vertically and ensure that its insertion depth is sufficient.
3. Align the wall bracket with the hole positions and fasten by tightening the spread screw with the nuts.

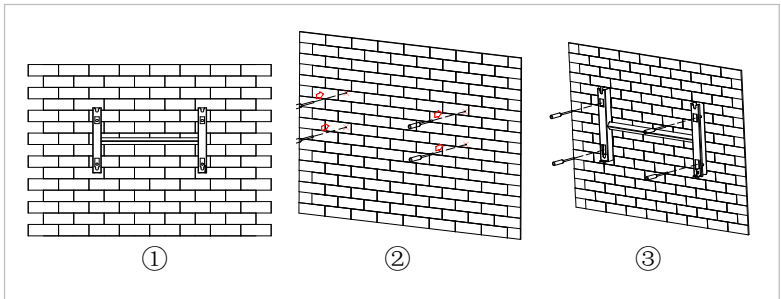


Figure. 4-6 Installing HYD 5/6/8/10/15/20KTL-3PH(a)

4. Place the inverter in the wall bracket and fasten it with the M6 hexagon screw
5. You can secure the inverter to the wall bracket using a lock.

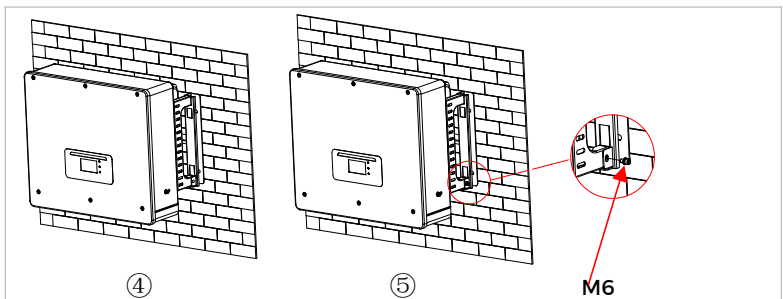


Figure. 4-7 Installing HYD 5/6/8/10/15/20KTL-3PH(b)

5 Electrical connections

5.1 Safety instructions

This topic describes the electrical connections of the inverter HYD 5/6/8/10/15/20KTL-3PH. Read this section thoroughly and carefully before connecting the cables.

DANGER

Electrical voltage at the DC connections

- Ensure that the DC switch is OFF before establishing the electrical connection. The reason is that the electrical charge remains in the capacitor after the DC switch has been switched off. Therefore, at least 5 minutes must lapse before the capacitor has been electrically discharged.

DANGER

Electrical voltage

- PV modules generate electrical energy when exposed to sunlight, and this may present an electrical shock hazard. Therefore, cover the PV modules with an opaque sheet before connecting to the DC input power cable.

DANGER

Electrical voltage at the DC connections

- Wear rubber gloves and protective clothing (safety goggles and boots) when working on high voltage/high current systems such as inverter and battery systems.

ATTENTION

Qualification

- The installation and maintenance of the inverter must be carried out by an electrician.

ATTENTION

On-grid operation

- After connecting the external terminals of the inverter, the recommended power-up sequence is: first turn on the battery, then turn on DC, then connect to the grid, and finally connect the load.
- After connecting the external terminals of the inverter, the recommended de-energizing sequence is: first disconnect the load, then disconnect DC, then disconnect the battery, and finally disconnect the grid.

NOTE

- The open-circuit voltage of the modules connected in series must be lower than or equal to 1000 V.

The connected PV modules must be compliant with IEC 61730 class

Table. 5-1 Relevant current parameters of each model

| Model | Isc PV (absolute maximum) | Maximum overvoltage protection | output |
|---------------|---------------------------|--------------------------------|--------|
| HYD 5KTL-3PH | 15 A/15 A | 8 A*3 | |
| HYD 6KTL-3PH | | 10 A*3 | |
| HYD 8KTL-3PH | | 13 A*3 | |
| HYD 10KTL-3PH | 30 A/30 A | 16 A*3 | |
| HYD 15KTL-3PH | | 24 A*3 | |
| HYD 20KTL-3PH | | 32 A*3 | |

The DVC (decisive voltage classification) is the circuit voltage which constantly occurs between two arbitrary live parts during proper use in a worst-case scenario:

Table. 5-2 Description of limits for DVC

| | | | |
|-----|----------------------------|----------------|-----------------|
| DVC | Operating voltage limit(V) | | |
| | Ac voltage(RMS) | Ac voltage(PK) | Dc voltage(AVG) |

| | | | |
|---|--------|------------|---------|
| A | 25(16) | 35.4(22.6) | 60(35) |
| B | 50(33) | 71(46.7) | 120(70) |
| C | 1000 | 4500 | 1500 |

NOTE



- The values in brackets apply when the inverter is installed in a humid environment.

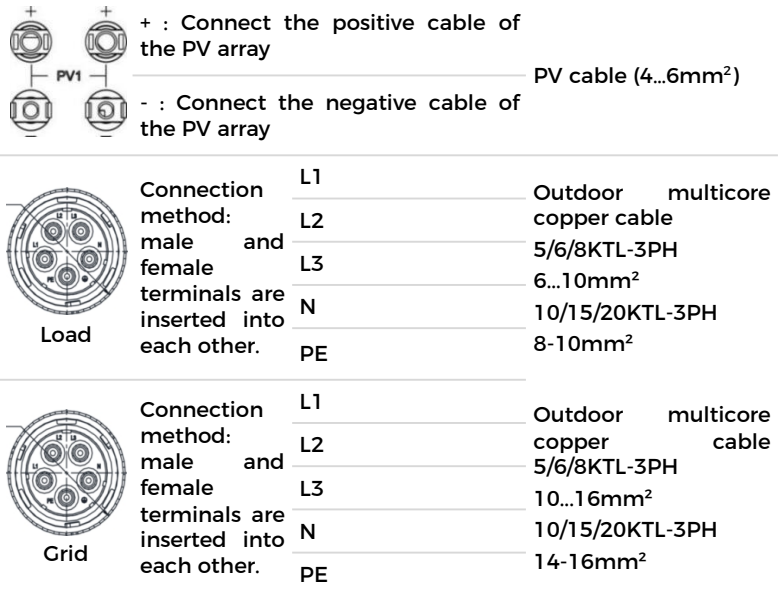
Table. 5-3 The decisive voltage class(DVC)

| Interface | DVC |
|---------------------|------|
| PV input connection | DVCC |
| AC connection | DVCC |
| Battery connection | DVCC |
| Load connection | DVCC |
| USB/WiFi interface | DVCA |
| COM interface | DVCA |
| CT interface | DVCA |
| DRMs | DVCA |
| Link port | DVCA |

5.2 Wiring overview

Table. 5-4 Cable description

| Component | Description | Recommended cable type |
|---|---|--|
|  BAT1 |  BAT2 | + : Connect the positive cable of the lithium battery - : Connect the negative cable of the lithium battery Outdoor multicore copper cable (4...6mm ²) |



5.3 System Electrical Topology

The inverters AC GRID and AC LOAD are wired with different N and PE wires depending on the regulatory requirements in different regions. For users in Australia, South Africa and New Zealand, please use the System Electrical Topology in Figure 5-2.

System 1: Internal relay controls N-PE shorting

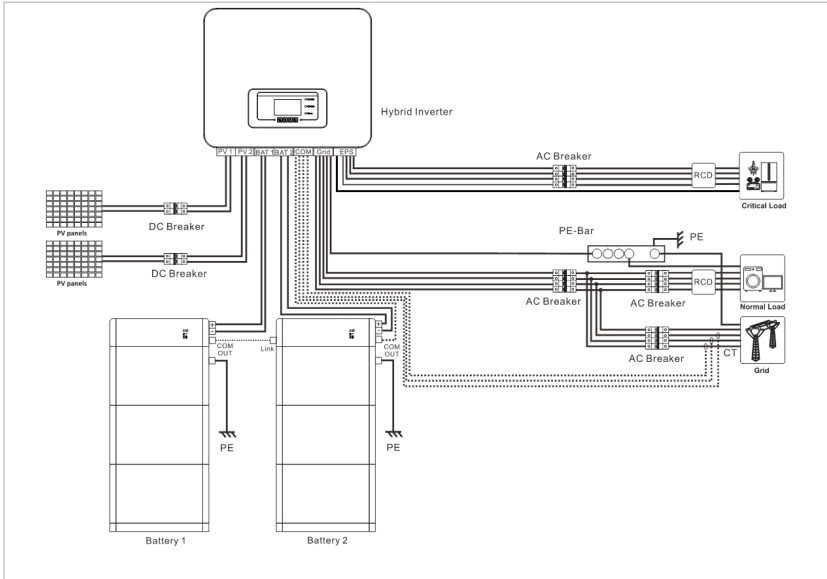
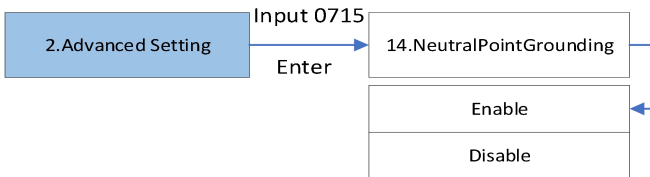


Figure 5-1 System Electrical Topology (General)

- a. Ensure that both the AC LOAD and AC GRID PE wires are grounded at the same time, as shown in the diagram. Otherwise the inverter may be abnormal in off-grid mode.
- b. Check whether NeutralPointGrounding is enabled, if not, enable it manually. Please refer to 7.4 for detailed information.



System 2: N and PE wires are connected together

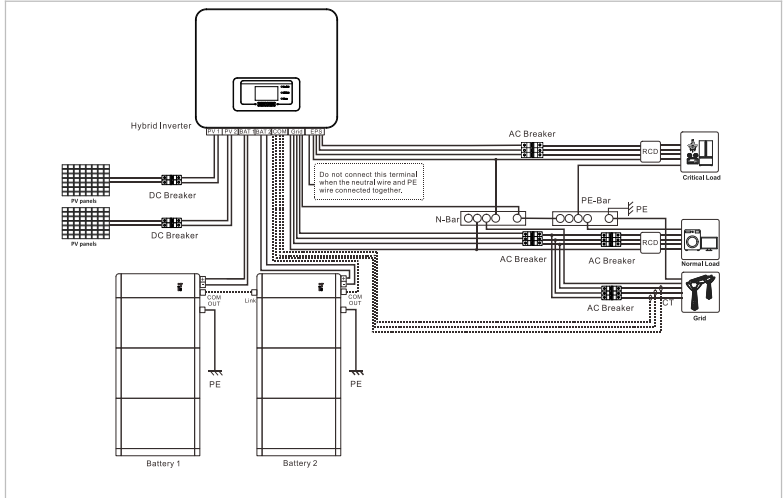


Figure 5-2 System Electrical Topology
(For Australia, South Africa and New Zealand)

⚠ DANGER

Install Residual current device (RCD) in front of the load

- RCD is necessary for critical load, but optional for normal load.
- In off-grid mode, the Entry master switch is unprotected and load leakage could lead to shock danger.
- The Entry master switch installed in the house must have earth leakage protection and its rated earth leakage action current $>$ number of inverters \times 100mA.

⚠ DANGER

Be sure to ensure that the output is grounded

- In system 1, The PE line of the inverter's AC Grid Port and AC LOAD Port must be grounded through the PE-Bar, otherwise there may be a risk of leakage.

NOTE

- In system 2, NeutralPointGrounding is disabled by default.No manual setup required.

5.4 Smart Meter /CT

There are different system configurations possible depending on the user's requirements, existing electrical infrastructure and local regulations. The distribution box must be configured to comply to the grid operator requirements.

The inverter has an integrated AC relay to disconnect all phases and Neutral from the grid in case of grid fault or grid outage.

The inverter's generation and feed-in limit functions require the use of an external measurement device to obtain grid information.

There are 3 system configurations:

System A: direct measurement of energy with CTs (3000:1)

System B: measurement of energy with smart meter + CTs(200 A/5 A default)

System C: measurement of energy with directly connected smart meter

NOTE

- For System A or B, customers can choose different CTs based on the installation. The secondary side current of Scheme A is less than 100mA, while the secondary side current of Scheme B is 5A. The length of the lead of CT cannot exceed 1 km.

CAUTION

- In the following three situations, the system must be connected to the fuse first and then to the machine's input terminal:
 - Lead-acid battery
 - Lithium battery without BMS
 - Multiple lithium batteries connected to one input

5.4.1 System A: direct measurement with CTs (3000:1)

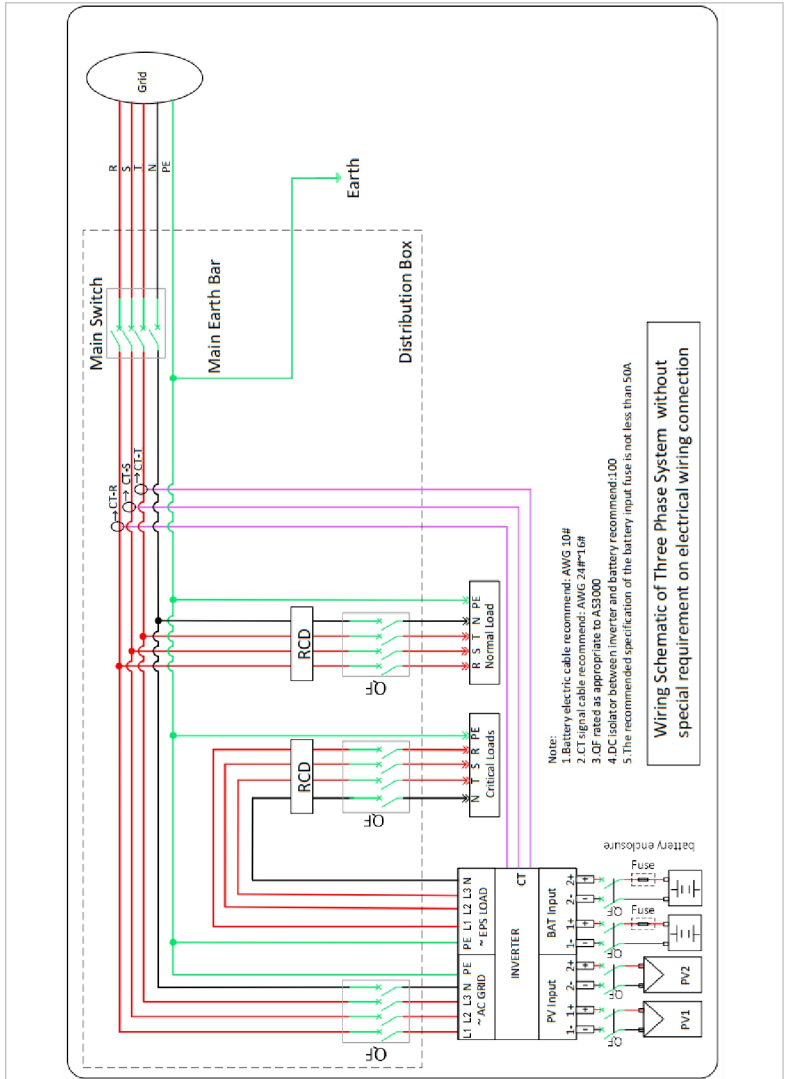


Figure. 5-3 Electrical connections(Plan A:CT)

5.4.2 System B: measurement with smart meter + CTs(200 A/5 A default)

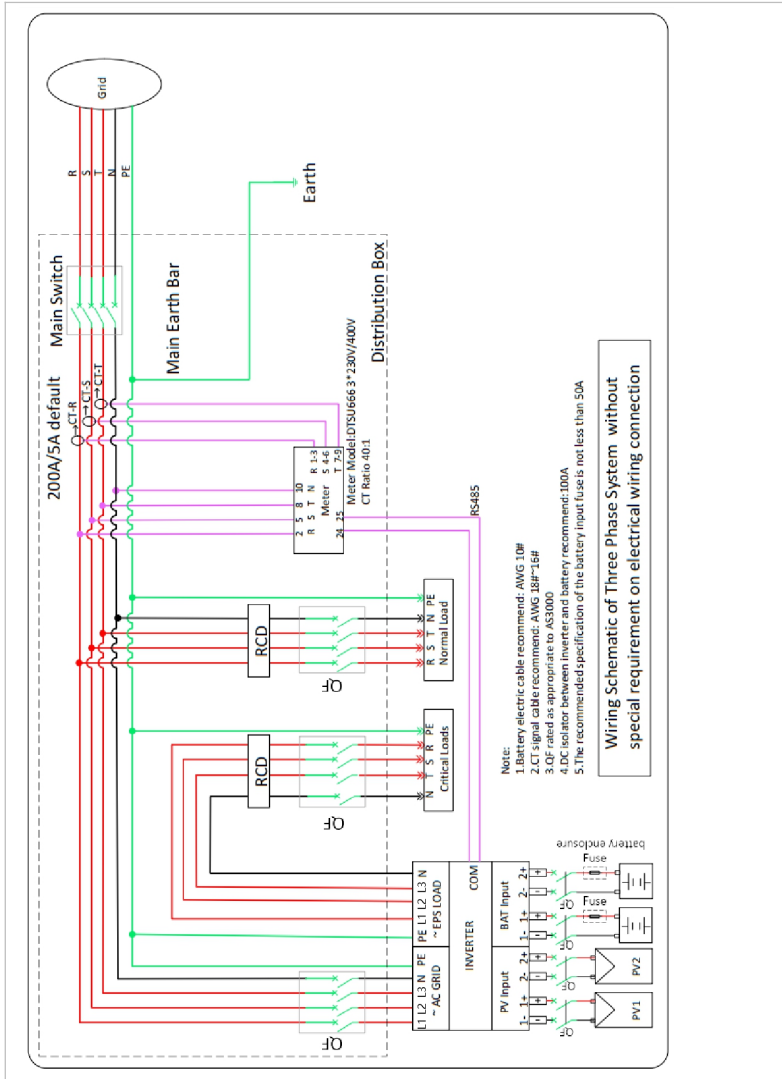


Figure. 5-4 Electrical connections(Plan B:Meter+CT)

5.4.3 System C: measurement with directly connected smart meter

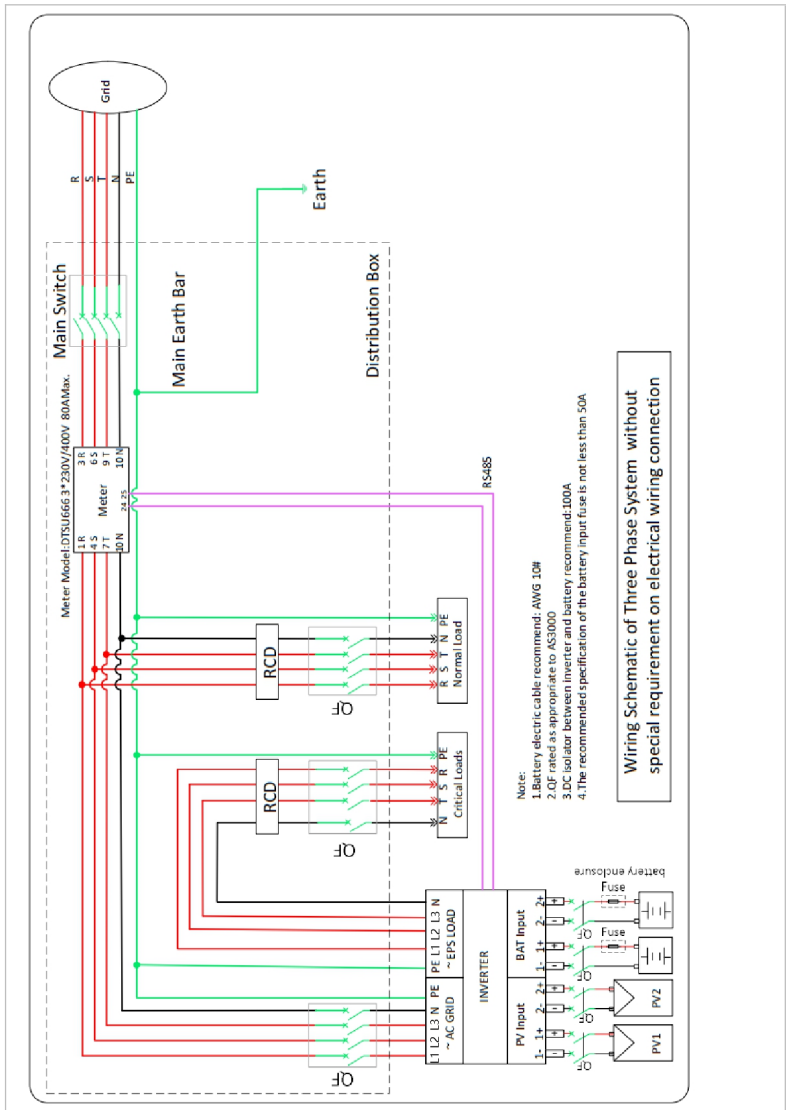


Figure. 5-5 Electrical connections(Plan C: Meter)

Table. 5-5 CT 200 A/5 A Default

(Split Core Current Transformer for smart meter or as a CT directly connected to the inverter.)

| Technical Data | |
|----------------------------------|----------------|
| Rated primary current | 200 A |
| Rated current secondary | 5 A |
| Rated frequency operating | 50/60 Hz |
| Perforated size | 24 mm Diameter |

Table. 5-6 Smart Meter through CTs

| Technical Data | |
|-----------------------|-------------------------------------|
| Voltage | AC 3×230/400 V |
| Current | 1.5(6) A |
| Frequency | 50/60 Hz |
| Pulse | 6400 imp / kWh |
| Power accuracy | Active Class 0.5S, Reactive Class 2 |

Table. 5-7 Directly connected Smart Meter

| Technical Data | |
|-----------------------|----------------------------------|
| Voltage | AC 3×230/400 V |
| Current | 5(80) A |
| Frequency | 50/60 Hz |
| Pulse | 400 imp / kWh |
| Power accuracy | Active Class 1, Reactive Class 2 |

5.5 Electrical connection

The electrical connection is established as follows:

1. Connect PE cable
2. Connect DC input cable
3. Connect battery cable
4. Connect AC output power cable
5. Connect communication cable (optional)

5.6 Connecting the PE cables

Connect the inverter to the equipotential bonding bar by using the protective earth cable (PE) for grounding.

ATTENTION

Pole earthing not permissible!

- As the inverter is transformerless, the plus and minus poles of the PV generator must NOT be earthed. Otherwise, the inverter will malfunction. In the PV system, not all live metal parts (e.g. PV module frames, PV frame, generator connection box housing, inverter housing) require earthing.
 - The protective grounding of the chassis shell cannot replace the PGND cable of the AC LOAD Port. Ensure that the two PGND cables are reliably connected.
 - When multiple inverters are deployed, ensure that the protection ground points of all inverters are equipotential connected.
1. **Remove the insulation of the cable. For outside use, cables of $\geq 4\text{mm}^2$ are recommended for earthing ($\geq 6\text{mm}^2$, applicable to French installation standard requirements).**

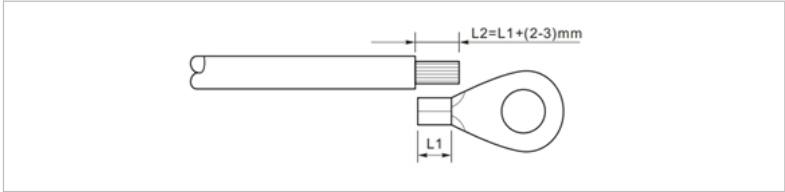


Figure. 5-6 Connecting PGND cable(a)

NOTE

- L2 is 2 to 3 mm longer than L1

2. Crimp the cable to the ring terminal:

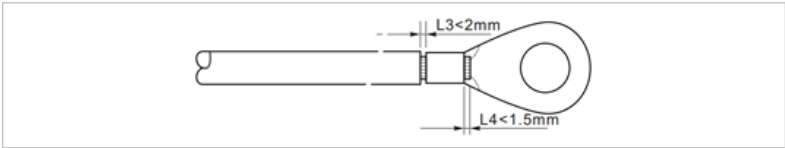


Figure. 5-7 Connecting PGND cable(b)

3. Install the crimped ring terminal and the washer with the M6 screws and tighten these with a torque of 3 Nm using an Allen key:

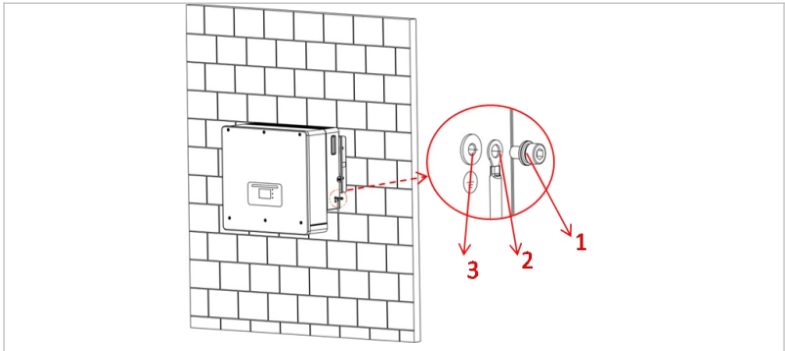


Figure. 5-8 Connecting PGND cable(c)

① M6 washer

② Ring terminal

③ Threaded hole

5.7 Connecting the DC lines for the PV modules and battery

NOTE

- The connection steps of the battery and PV are the same, only the terminal specifications are different. The colour of the battery terminal is blue, the colour of PV terminal is black.

Please observe the recommended cable dimensions:

Table. 5-8 PV and battery cable dimensions

| Cable cross-section (mm ²) | | Outer diameter of cable (mm) |
|--|-------------------|------------------------------|
| Range | Recommended value | |
| 4.0 ... 6.0 | 4.0 | 4.5 ... 7.8 |

1. Remove the crimp contacts from the positive and negative connections.

2. Remove the insulation of the cables:

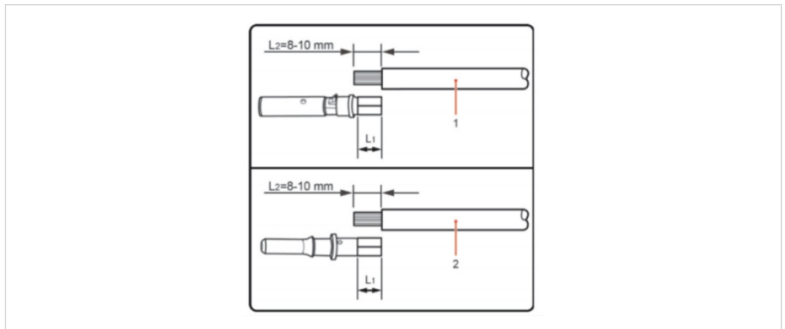


Figure. 5-9 Connecting PV(a)

① Positive DC cable

② Negative DC cable

NOTE

- L2 is 2 to 3 mm longer than L1

3. Insert the positive and negative DC cables into the corresponding cable glands.
4. Crimp the DC cables. The crimped cable must be able to withstand a tractive force of 400 N·m.

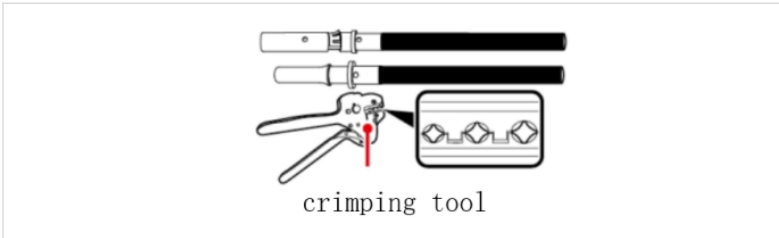


Figure. 5-10 Connecting PV(b)

CAUTION

Danger of reverse polarity!

- Ensure that the polarity is correct before plugging into the DC connections!
5. Insert the crimped DC cables into the corresponding connector housing until you hear a “clicking” sound.

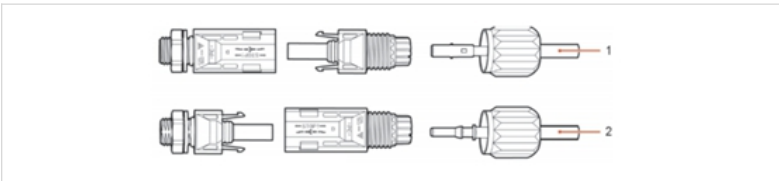


Figure. 5-11 Connecting PV(c)

- ① Positive power cable ② Negative power cable

Re-screw the cable glands to the connector housing.

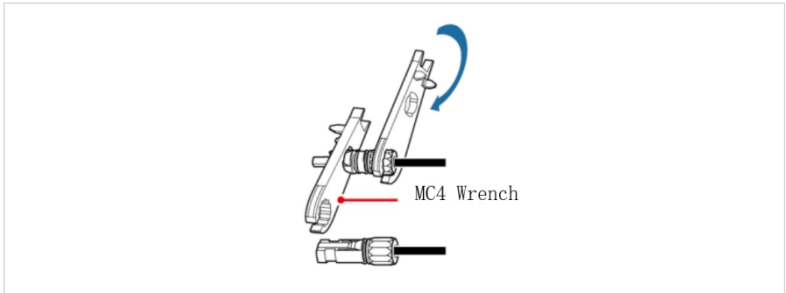


Figure. 5-12 Connecting PV(d)

6. Insert the positive and negative connectors into the corresponding DC input terminals of the inverter until you hear a “clicking” sound.

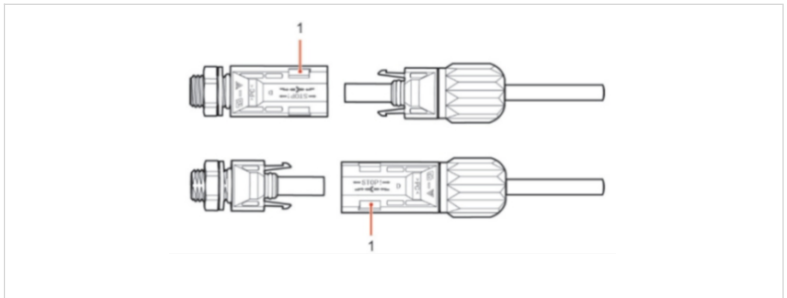


Figure. 5-13 Connecting PV(e)

① Locking

NOTE

- Insert the protective caps into the unused DC connections.

Removing the connectors

⚠ CAUTION

Danger of DC arcing

- Before removing the plus and minus connector, ensure that the DC switch has been set to OFF.

In order to remove the plus and minus connection from the inverter, insert a removal key into the locking and press on the key with the adequate force as shown in the following illustration:

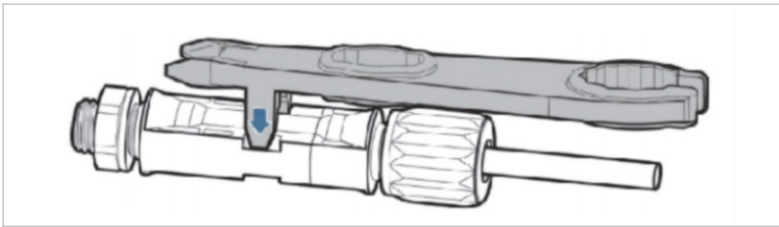


Figure. 5-14 Connecting PV(f)

5.8 Connecting the AC power cables

The AC power cables are used to connect the inverter to the critical loads (through the EPS port), and the AC power distributor or the power grid.

⚠ CAUTION

AC connection

- Each inverter must have its own circuit breaker.
- The AC disconnecting device must be easily accessible.

NOTE

- The inverter HYD 5/6/8/10/15/20KTL-3PH has a built-in RCD (univ. sensitive residual current protection). If an external RCD is required, we recommend an RCD type A featuring a residual current of 100 mA or higher.
- Please follow the national rules and regulations for the installation of external relays or circuit breakers!

The AC cable should be correctly dimensioned in order to ensure that the loss of power in the AC cable is less than 1% of the rated output. If the AC cable resistance is too high, then the AC voltage will increase; this may cause the inverter to become disconnected from the power grid. The relationship between the leakage power in the AC cable and the cable length, the cable cross-section, is displayed in the following illustration:

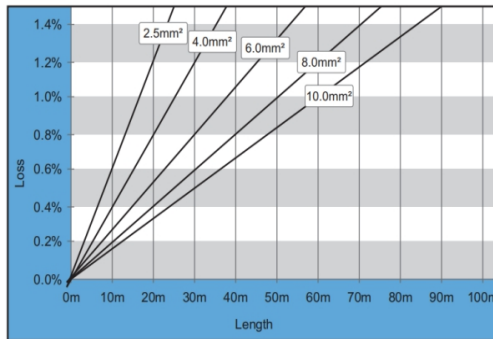


Figure 5-15 the relationship between the leakage power and cable length

5.9 AC connector installation

⚠ CAUTION

Electrical voltage

- Ensure that the grid has been switched off before removing the AC connector

NOTE

- There are two types of AC connectors, the blue one is the power grid AC terminal, and the black one is the load AC terminal.

Please follow below steps to install the AC connector.

1. Select the suitable cable in accordance with above diagram. Remove the insulating layer of the AC output cable using a wire stripper and in accordance with the following illustration:

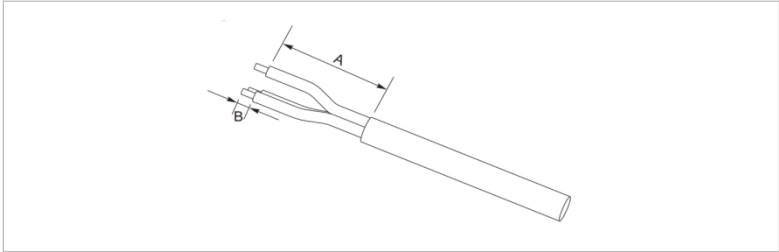


Figure. 5-16 AC connection(a)

| | |
|--------------|------------|
| A = 30-50 mm | B = 3-5 mm |
|--------------|------------|

2. Disassemble the connector in accordance with the following illustration. Guide the AC output cable through the cable gland.

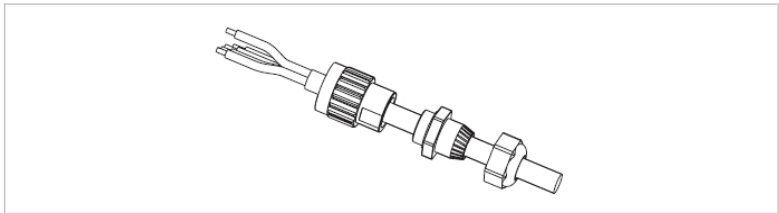


Figure. 5-17 AC connection(b)

3. Connect the AC cable in accordance with the following requirements and tighten the terminal using the Allen key.

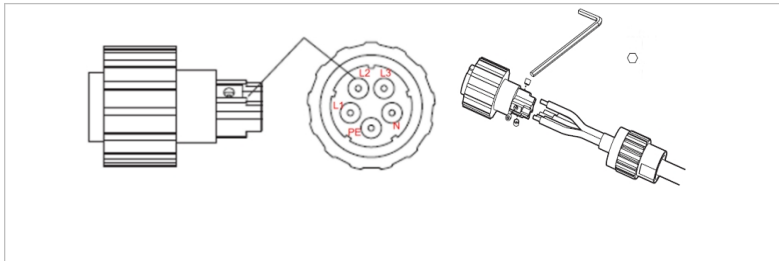


Figure. 5-18 AC connection(c)

Table. 5-9 AC connection description

| Connection | Cable |
|------------|-------------------------------|
| L1 | Phase 1 (brown) |
| L2 | Phase 2 (black) |
| L3 | Phase 3 (grey) |
| N | Neutral conductor (blue) |
| PE | Earthing cable (yellow-green) |

4. Assemble the connector housing and screw the cable gland tight.

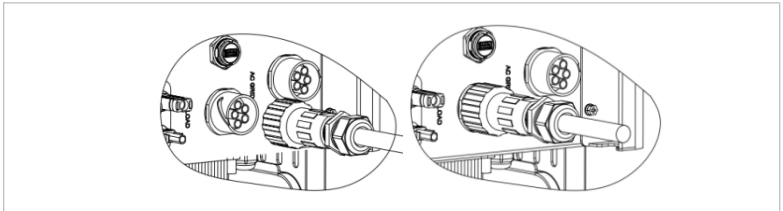


Figure. 5-19 AC connection(d)

5. Connect the AC connector to the AC connection of the inverter by turning it clockwise until it locks into place.

NOTE

- Remove the AC connector by turning it anticlockwise.
- When you use the meter connection function, make sure that the AC terminal cable corresponds to the meter cable one by one (L1, L2, L3, N, and PE cables)
- Corresponding to the grid identification of different regions, L1, L2, L3 correspond to A,B,C or R,S,T or U,V,W respectively

5.10 Communication interfaces

The positions of the communications interfaces of the HYD 5/6/8/10/15/20KTL-3PH are displayed below:

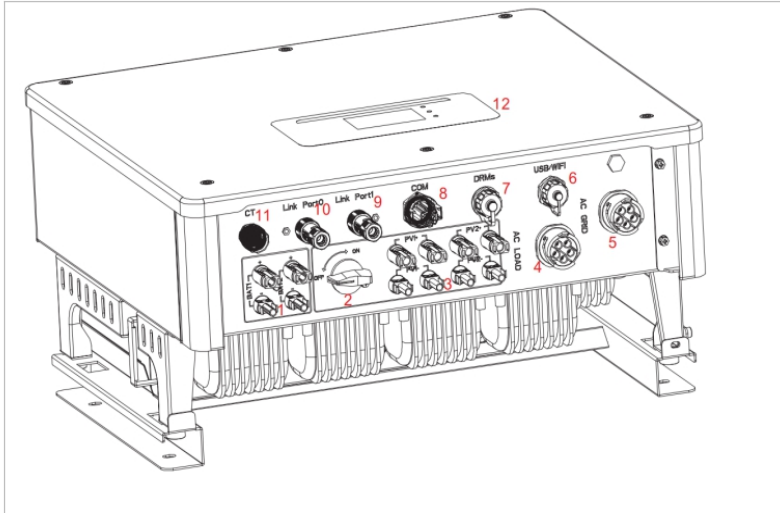


Figure. 5-20 HYD 5/6/8/10/15/20KTL-3PH interfaces
Table. 5-10 communication interfaces description

| No. | Connection | Function |
|-----|--------------------------------|--|
| ⑥ | USB/WiFi | USB port for firmware update and safety parameter import; Port to connect Stick Logger (WiFi) |
| ⑦ | DRMs | Demand Response Modes/Logic Interface to control the inverter |
| ⑧ | COM | Multifunctional Communication Port |
| ⑨ | Link port 1 | Master/Slave operation of multiple inverters |
| ⑩ | Link port 0 | |
| ⑪ | Current sensor connection (CT) | For configurations according to System A, CTs are directly connected to the inverter without an smart meter. |

5.10.1 Multifunctional Communication Port

Please refer to the following table for the specific PIN assignments.

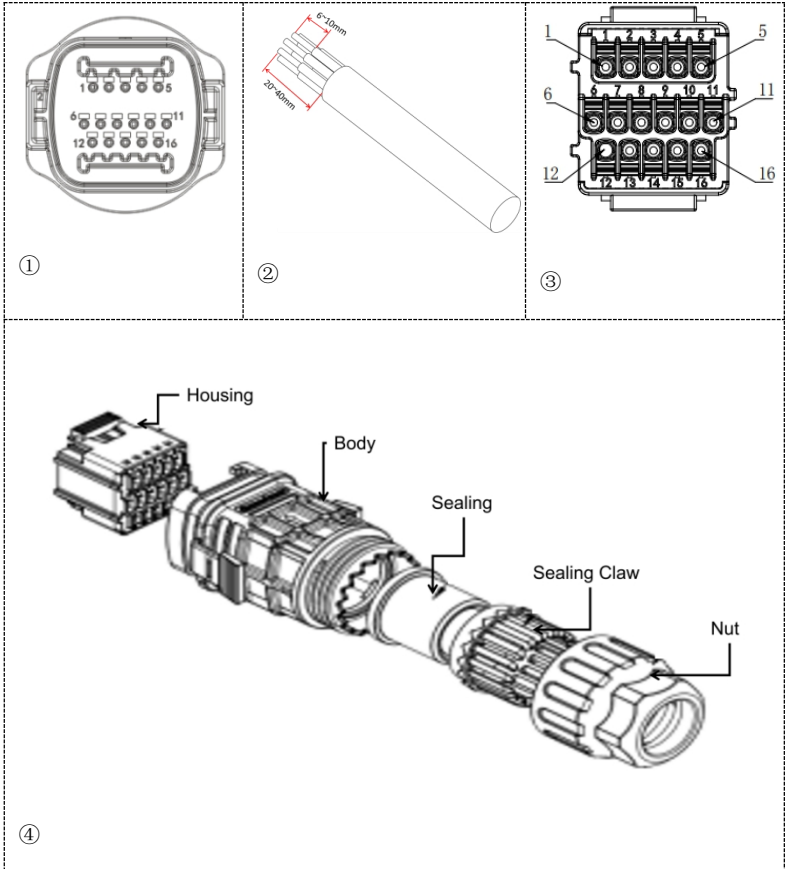


Figure. 5-21 COM interface

Table. 5-11 COM interfaces description

| PIN | Definition | Function | Note |
|-----|------------|--|--|
| 1 | RS485A1-1 | RS485differential signal+ | Wired monitoring or inverter cascade monitoring |
| 2 | RS485A1-2 | RS485differential signal+ | |
| 3 | RS485B1-1 | RS485differential signal- | |
| 4 | RS485B1-2 | RS485differential signal- | |
| 5 | RS485A2 | RS485differential signal+ | Communicate with electricity meters |
| 6 | RS485B2 | RS485differential signal- | |
| 7 | CAN0_H | CAN high data | Used for communication with lithium battery BMS, the inverter can automatically identify the battery BMS communication as CAN or RS485 communication |
| 8 | CAN0_L | CAN low data | |
| 9 | GND.S | BMS communication GND | |
| 10 | 485TX0+ | RS485differential signal+ | |
| 11 | 485TX0- | RS485differential signal- | |
| 12 | GND.S | Signal GND | |
| 13 | BAT_Temp | Battery temperature sampling | Inner BMS battery temperature sampling |
| 14 | DCT1 | Dry Contact1 | Providing electrical switching function |
| 15 | DCT2 | Dry Contact2 | |
| 16 | VCC_12V | VCC_12V/0.5A power supply Or Multiplexing function:Wet contact | 1.When the load power exceeds 6W, VCC_12V output automatic protection and off output 2.Providing electrical switching function |

5.10.2 RS485

For the monitoring and control of several inverters, you connect the RS485 wires in daisy-chain.

At the first and the last inverters, you need to terminate the bus with an 120 Ohm resistor between Pin 1 and 4.

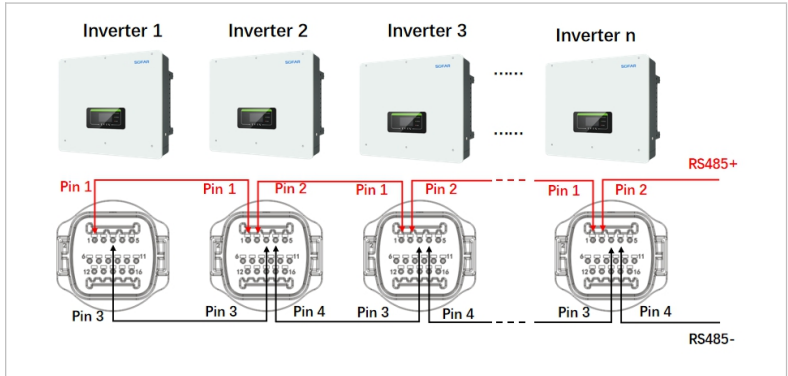


Figure. 5-22 RS485 communication connection

5.10.3 Smart meter

The integrated energy management functions integrated of the HYD 5/6/8/10/15/20KTL-3PH require to measure the power flow at the point of grid interconnection. There are different system configurations possible. It can be measured using smart meter with CTs, or using directly connected smart meter.

Please refer to below table for the PIN assignments for the RS485 connection between the inverter and the smart meter.

Table. 5-12 Meter and COM interface connection

| Inverter Pin | COM Port | Function | Meter Pin |
|--------------|----------|-------------|-----------|
| Pin 5 | | RS485+ (A2) | Pin 24 |
| Pin 6 | | RS485- (B2) | Pin 25 |

NOTE

- Use the shielded twisted pair cable
- The copper outer diameter should be more than 0.5 mm²
- Keep away from power cables or other electric fields
- Maximum distance is 1200 meters

Smart meter with CT connection (System B, default)

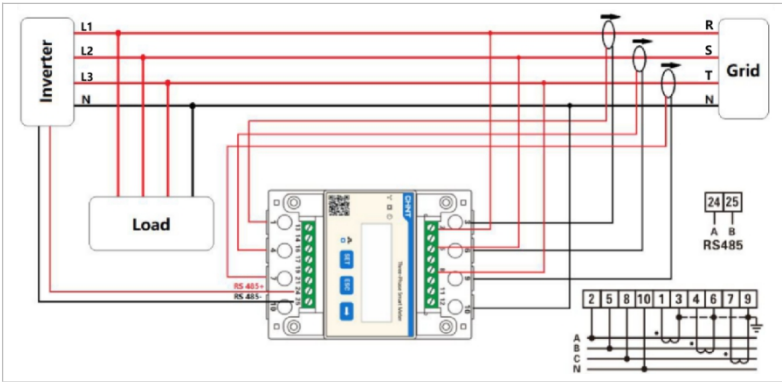
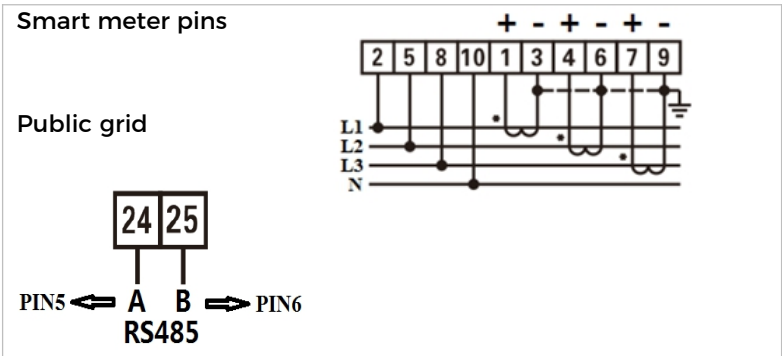


Figure. 5-23 Meter

NOTE

- The arrows on the current transformers direct to the grid.
- Up to 200 A measurement
- Accuracy class and load rating(VA/Ω):1 class
- Rated operating voltage:AC 0.66KV(Equivalent to 0.69KV GB156-2003)
- Rated frequency: 50-60Hz
- Ambient temperature: -40℃~85℃
- Altitude: ≤3000m

Smart Meter Configuration

The smart meter is preconfigured to be used with the inverter with these settings:

Modbus Address: 1

Baud Rate: 9600

Current Ratio: 40:1

In case you want to change or check the settings, please refer to below procedure:

Modbus Address and Baud Rate setting

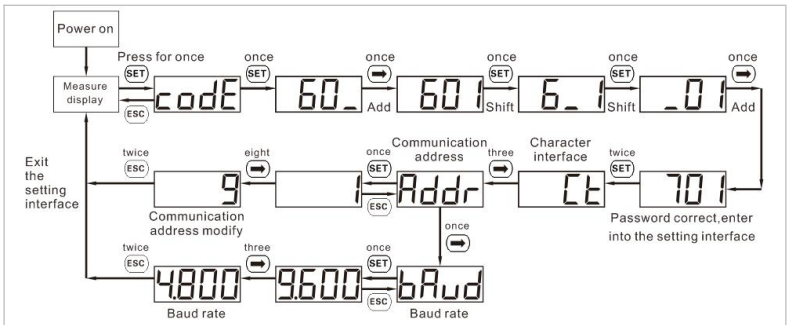


Figure. 5-24 Meter address and baud rate setting

Current Ratio setting

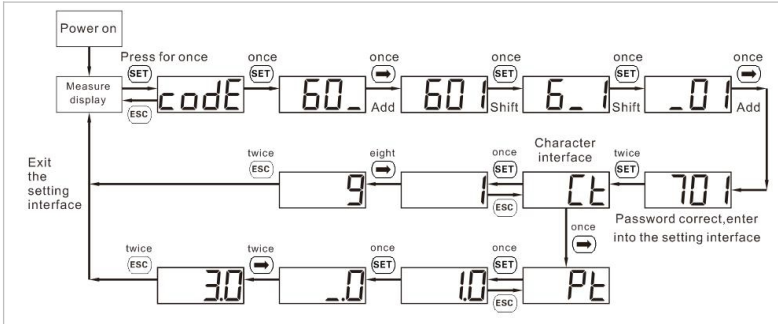


Figure. 5-25 Meter current ratio setting

NOTE

- The inverter connected to the meter is a power generation device, and the function of the meter connected to the traditional load (electrical device) is opposite. Therefore, for our product, when the power is output to the grid, the electricity meter will show a positive value, and when the power is purchased from the grid, it will show a negative value;
- The smart meter comes with 2 terminal resistors, In the actual configuration, the customer can parallel a terminal resistor at each end of the cable to reduce signal reflection in the communication cable.

5.10.4 Temperature Sensor

For batteries without a BMS (for example lead-acid batteries), you need to connect the temperature sensor which is within the scope of supply. Place the sensor at the battery.

5.10.5 BMS connection

For batteries with a BMS (for example Li-Ion batteries), you need to connect either the CAN Bus or RS485 with the battery management system.

The inverter will use the CAN Bus or RS485 Bus according to the battery selection in the inverter's menu.

Connecting the BTS 5K battery

For connecting the BTS 5K battery to the inverter, please follow the below pin assignments:

Table. 5-13 BMS interface description

| Inverter Port | COM Function | BTS cable | communication | Battery "Link In" Port |
|---------------|--------------|------------|---------------|------------------------|
| Pin 7 | CAN0_H | Blue | | Pin 4 |
| Pin 8 | CAN0_L | Blue-white | | Pin 5 |

5.10.6 Dry Contact

The dry contact can start and stop a generator.

Note: This function is available from Firmware V10

The dry contact settings must be set accordingly in the menu Advanced settings - Dry Contact Control.

Generator charging

Please refer to below diagram for connecting a generator:

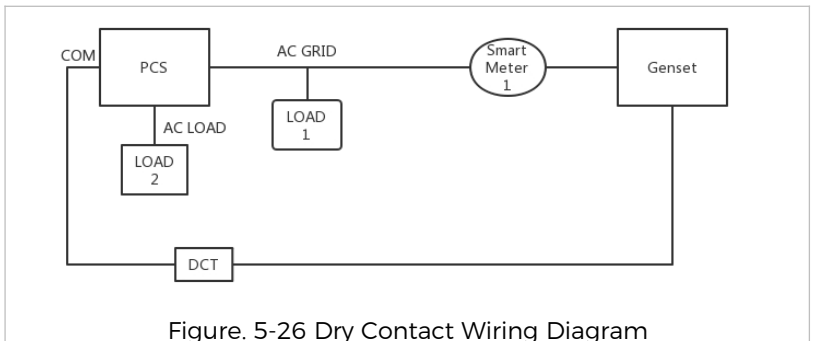


Figure. 5-26 Dry Contact Wiring Diagram

The settings are explained in the menu structure.

5.10.7 Communication power supply

The power supply can be used for the external power supply, or for the switching contact. Max. 400 mA / 5 W.

5.10.8 CT Interface

For configurations according to System A, CTs are directly connected to the inverter without an smart meter.

Please use the three CTs (3000:1) that come standard with the attachment.

NOTE

- Customers can choose different CTs with different primary currents according to the installation. However, the secondary side current of Scheme A is less than 100mA, while the secondary side current of Scheme B is 5A. The lead length of CT cannot exceed 1 km;
- After the customer chooses to install CTs with different current specifications, he needs to set the CT ratio (factory default 40:1) on the inverter.

Please refer to the table below for the specific PIN connections.

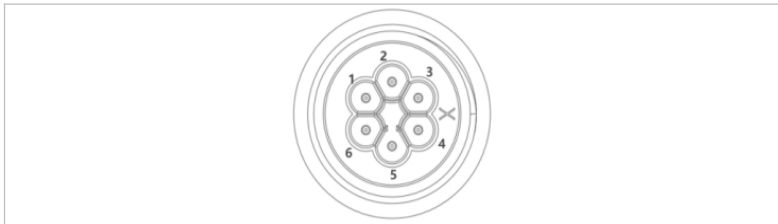


Figure. 5-27 CT connection(a)

Table. 5-14 BMS interface description

| Pin | Definition | Function |
|-----|------------|------------------------|
| 1 | Ict_R- | Phase R - (Phase L1 -) |
| 2 | Ict_R+ | Phase R + (Phase L1 +) |
| 3 | Ict_S- | Phase S - (Phase L2 -) |

| Pin | Definition | Function |
|-----|------------|------------------------|
| 4 | Ict_S+ | Phase S + (Phase L2 +) |
| 5 | Ict_T- | Phase T - (Phase L3 -) |
| 6 | Ict_T+ | Phase T + (Phase L3 +) |

Follow below steps to install the CTs.

1. Fix the cables on the terminals according to above table, and put the connector housing over the terminals.

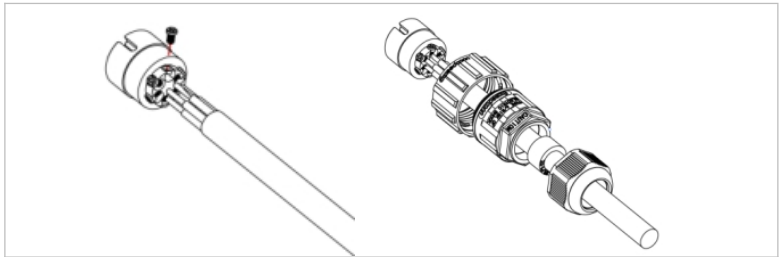


Figure. 5-28 CT connection(b)

2. Connect and lock the connector by turning it clockwise.

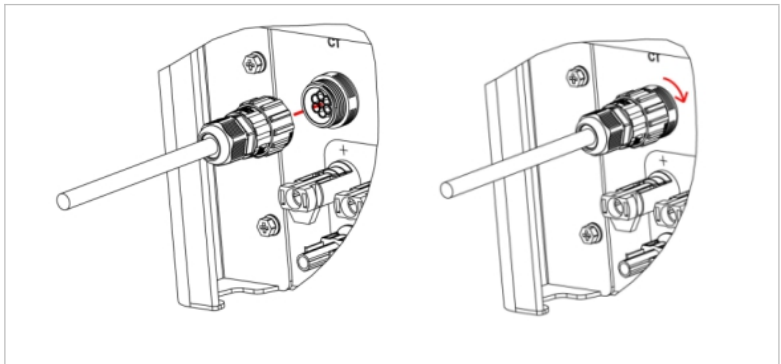


Figure. 5-29 CT connection(c)

5.10.9 Link Port

In systems with multiple inverters, you can connect the devices in a Master/Slave configuration. In this configuration, only one

smart meter is connected to the Master inverter for the system control.

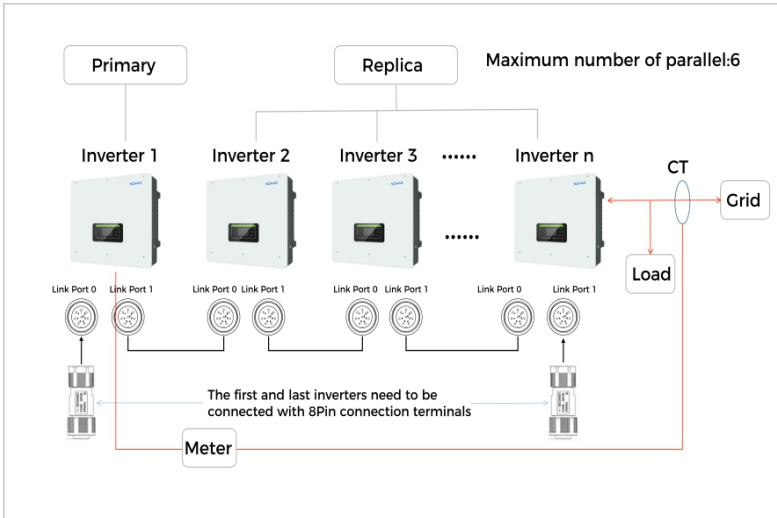


Figure. 5-30 parallel system

NOTE

- The first and last inverter need to be connected with the 8 Pin connection terminals!

Pin Connections

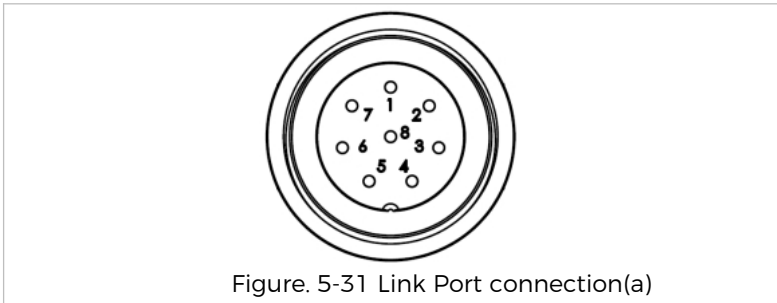


Figure. 5-31 Link Port connection(a)

Table. 5-15 Link Port interface description

| Pin | Definition | Function |
|-----|------------|----------------------------|
| 1 | IN_SYN0 | Synchronising signal 0 |
| 2 | CANL | CAN low data |
| 3 | SYN_GND0 | Synchronising signal GND 0 |
| 4 | CANH | CAN high data |
| 5 | IN_SYN1 | Synchronising signal1 |
| 6 | SYN_GND1 | Synchronising signal GND 1 |
| 7 | SYN_GND2 | Synchronising signal GND 2 |
| 8 | IN_SYN2 | Synchronising signal 2 |

Installation

1. Connect and lock the connector by turning clockwise:

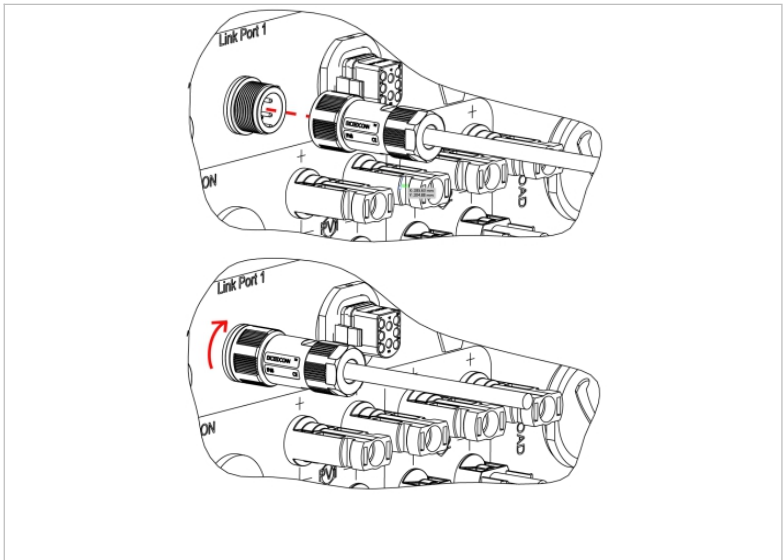


Figure. 5-32 Link Port connection(b)

5.10.10 DRMs/Logic interface

The DRMs/Logic interface is used to control the inverter by external signals, usually provided from grid operators with ripple control receivers or other means. The logic interface pins are defined according to different standard requirements.

Please consider the following PIN assignment.

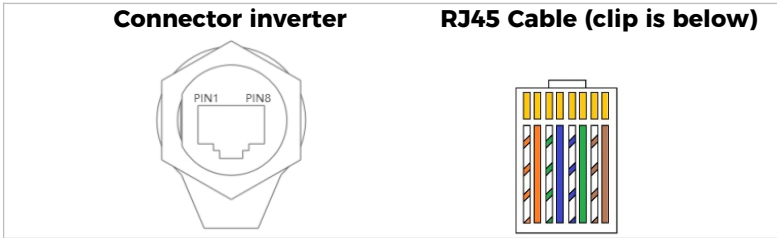


Figure. 5-33 DRM connection(a)

Please follow below installation steps.

1. Press the wire terminals in colour sequence:

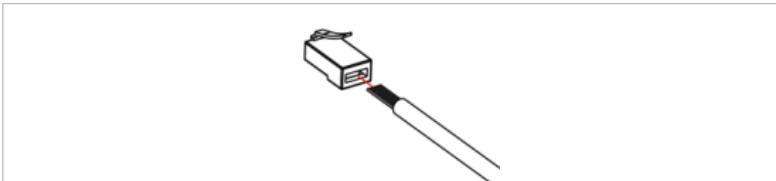


Figure. 5-34 DRM connection(b)

2. Route the cable terminal through the cable gland and insert the communication cable into the RJ45 connector.

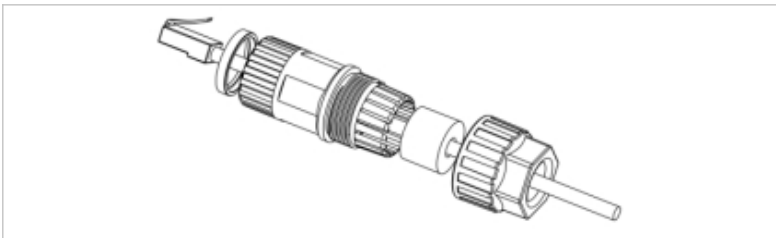


Figure. 5-35 DRM connection(c)

3. Lock the connector by turning clockwise:

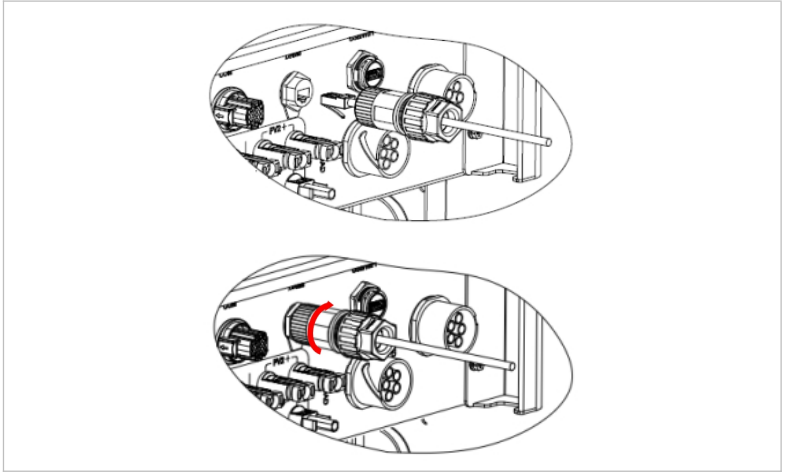


Figure. 5-36 DRM connection(d)

DRMs for AS/NZS 4777.2:2015 and AS/NZS 4777.2:2020

Also known as Inverter Demand Response Modes (DRMs).

The inverter recognises all supported Demand Response commands and initiates the reaction within two seconds. The inverter will continue to respond while the mode remains asserted.

Supported DRM commands: DRM0, DRM5, DRM6, DRM7, DRM8.

Table. 5-16 DRM interface description

| Pin | Colour | Function |
|-----|--------------|----------|
| 1 | orange/white | DRM1/5 |
| 2 | orange | DRM2/6 |
| 3 | green/white | DRM3/7 |
| 4 | blue | DRM4/8 |
| 5 | blue/white | DRM0 |
| 6 | green | RefGen |

| Pin | Colour | Function |
|-----|-------------|--------------------|
| 7 | brown/white | Internally shorted |
| 8 | brown | |

Logic interface for VDE-AR-N 4105:2018-11

This function serves to control and/or limit the output power of the inverter.

The inverter can be connected to a radio ripple control receiver in order to dynamically limit the output power of all inverters within the system.

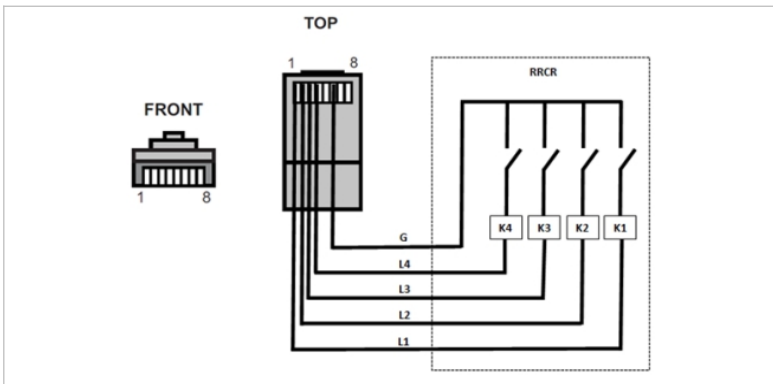


Figure. 5-37 Logic interface(a)

The inverter is preconfigured on the following power levels:

Table. 5-17 Logic interface description(a)

| Pin | Name | Inverter | Radio ripple control receiver |
|-----|------|---------------|-------------------------------|
| 1 | L1 | Relay 1 input | K1 - output relay 1 |
| 2 | L2 | Relay 2 input | K2 - output relay 2 |
| 3 | L3 | Relay 3 input | K3 - output relay 3 |
| 4 | L4 | Relay 4 input | K4 - output relay 4 |
| 6 | G | Ground | Relay, common ground |

Relay status: Closing is 1, opening is 0

Table. 5-18 Logic interface description(b)

| L1 | L2 | L3 | L4 | Active power | Cos (ϕ) |
|----|----|----|----|--------------|---------|
| 1 | 0 | 0 | 0 | 0% | 1 |
| 0 | 1 | 0 | 0 | 30% | 1 |
| 0 | 0 | 1 | 0 | 60% | 1 |
| 0 | 0 | 0 | 1 | 100% | 1 |

Logic interface for EN50549-1:2019

The active power output can be ended within five seconds following a command to the input interface.

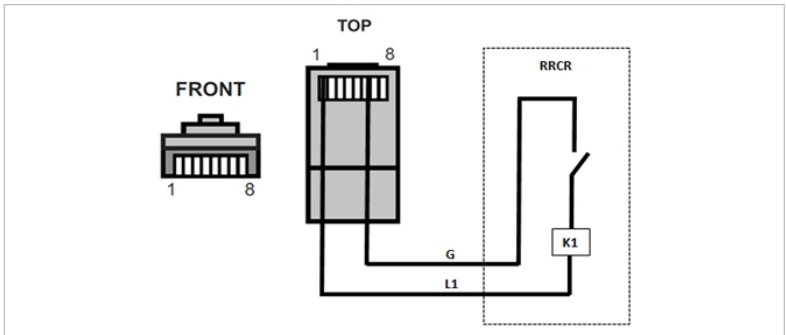


Figure. 5-38 Logic interface(b)

Functional description of the terminal

Table. 5-19 Logic interface description(c)

| Pin | Name | Inverter | Radio ripple control receiver |
|-----|------|---------------|-------------------------------|
| 1 | L1 | Relay 1 input | K1 - output relay 1 |
| 6 | G | Ground | Relay, common ground |

The inverter is preconfigured on the following power levels.

Relay status: Closing is 1, opening is 0

Table. 5-20 Logic interface description(d)

| L1 | Active power | Power drop rate | Cos (ϕ) |
|----|--------------|-----------------|----------------|
| 1 | 0% | < 5 seconds | 1 |
| 0 | 100% | / | 1 |

5.11 Feed-in limit function

The feed-in limit function can be used to limit the power fed back into the grid. For this function, a power measurement device must be installed according to system A, B, or C.

Feed-in limit: The sum of the feeding-in phases must not exceed the set power limitation value. The power of phases drawing power from the grid is disregarded here.

3-phase limit: The sum of the feed-in power of all three phases must not exceed the set power limit value. This setting is suitable for balancing metering, as is common in Germany, for example.

NOTE

- For the 3-phase limit setting, the current sensors must be correctly assigned to phases L1, L2 and L3 on the electricity meter!
- If communication with the smart meter is interrupted, the inverter limits its output power to the set power limit value.

5.12 System monitoring

The HYD 5/6/8/10/15/20KTL-3PH inverters provide various communication methods for the system monitoring: RS485 or WiFi stick (standard), or Ethernet stick (optional).

5.12.1 RS485

You can connect RS485-linked devices to your PC or a data logger via an RS485 USB adapter. Please refer to the pin assignment in paragraph 5.9.2.

NOTE

- The RS485 line may not be any longer than 1000 m
- Assign each inverter its own modbus address (1 to 31) via the LCD display

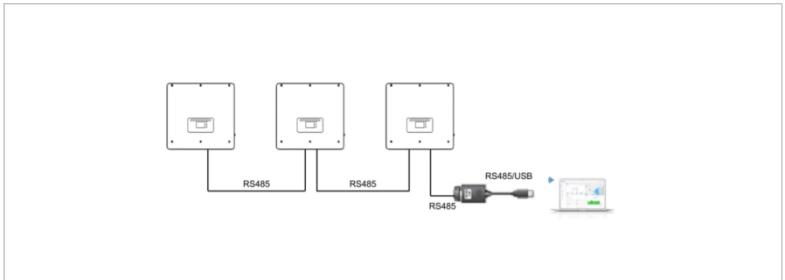


Figure. 5-39 RS485 monitor system

5.12.2 WiFi, Ethernet stick

When you have installed the stick logger, the inverters can directly upload your operating, energy and alarm data in the SolarMAN monitoring portal.

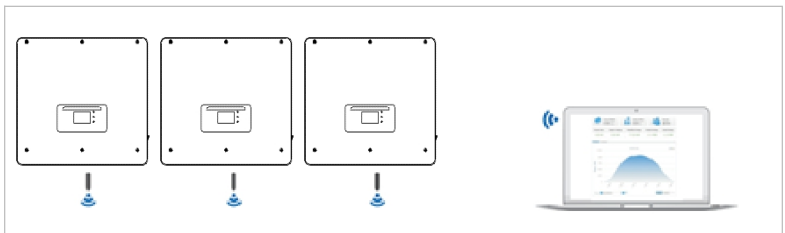


Figure. 5-40 WiFi monitor system

5.13 Installation of the WiFi or Ethernet stick

1. Remove the protective cap from the USB interface.
2. Install the WiFi/Ethernet stick.

3. Tighten the connecting nut.

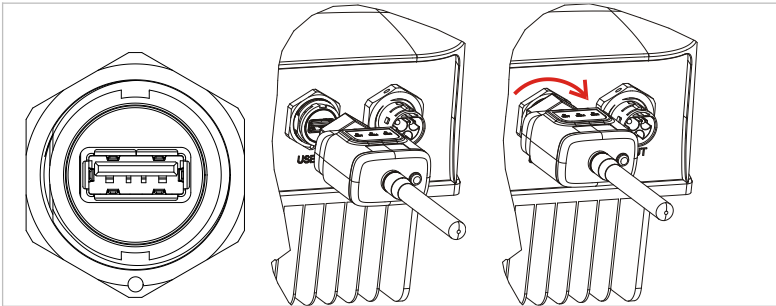


Figure. 5-41 Install WiFi stick

5.13.1 Configuration of the WiFi stick via the web browser

Preparation: The WiFi stick is installed in accordance with the previous section and the SOFAR inverter must be in operation.

Carry out the following steps in order to configure the WiFi stick:

1. Connect your PC or smartphone with the WiFi network of the WiFi stick. The name of this WiFi network is “AP”, followed by the serial number of the WiFi stick (see rating plate). When you are prompted for a password, you can find it on the label of the WiFi stick (PWD).
 2. Open an Internet browser and enter the address **10.10.100.254**.
- (Recommended browsers: Internet Explorer 8+, Google Chrome 15+, Firefox 10+)
3. Enter the username and password, which are both set to “**admin**” by default. The “Status” page will be opened.
 4. Click on the “Wizard” in order to configure the WiFi stick for Internet access.

Result :The WiFi stick begins to send data to SolarMAN.

Register your system at the website home.solarmanpv.com. For this, enter the serial number found on the stick logger.

Installers use the portal at pro.solarmanpv.com

5.13.2 Setting up the WiFi stick with the app

To download the app, search for “SOLARMAN” in the Apple or Google Play store, or use the following QR codes:

- **SOLARMAN Smart** (for end customers):



- **SOLARMAN Business** (for installers):



Figure. 5-42 SOLARMAN QR codes

Configuration steps

1. After starting the app, register as a new user or enter the current solarMAN access data.
2. Create a new system and save the system data.
3. Scan the barcode of the stick logger to assign an inverter to the system.
4. Go to the newly created system in order to configure the stick logger (device/logger)
5. Press the button on the WiFi stick for 1 second to activate the WPS mode of the stick so that the smartphone can be connected to the WiFi stick.
6. Now, select your local WiFi network for Internet access and enter your WiFi password.
7. The WiFi stick is configured with the access data.

WiFi stick status

The LEDs on the WiFi stick provide information regarding the status:

Table. 5-21 WiFi stick status description

| LED | Status | Description |
|-------|-------------------------------|---|
| NET: | Communication with the router | On: Connection to server successful |
| | | Flashing (1 sec.): Connection to router successful |
| | | Flashing (0.1 sec.): WPS mode active |
| | | Off: No connection to router |
| COM | Communication with inverter | Flashing (1 sec.): Communication with inverter |
| | | On: Logger connected to inverter |
| | | Off: No connection to inverter |
| READY | Logger status | Flashing (1 sec.): Normal status |
| | | Flashing (0.1 sec.): Reset running |
| | | Off: Error status |

Reset button

Table. 5-22 Reset button description

| Keystroke | Description |
|----------------|-----------------|
| 1 sec. | WPS mode |
| 5 sec. | Restart |
| 10 sec. | Restart (reset) |

5.13.3 Setting up the Ethernet stick

The Ethernet stick is delivered with DHCP as standard, so it automatically gets an IP address from the router.

If you wish to set up a fixed IP address, connect a PC to the Ethernet stick and open the configuration page via the web address **10.10.100.254**.

6 Commissioning the inverter

6.1 Safety test before commissioning

ATTENTION

Check the voltage range

- Ensure that the DC and AC voltages are within the permissible range of the inverter.

6.2 Double Check

Please ensure that the inverter and all the wiring are installed correctly, securely, and reliably, and that all environment requirements are met.

1. Inverter is firmly fastened to the mounting bracket on the wall.
2. PV+/PV- wires are firmly connected, polarity and voltage are correct.
3. BAT+/BAT- wires are firmly connected, polarity and voltage are correct.
4. DC isolator is correctly connected between battery & inverter, DC isolator: OFF.
5. GRID / LOAD cables are firmly / correctly connected.
6. AC circuit breaker is correctly connected between inverter GRID port & GRID, circuit breaker: OFF.
7. AC circuit breaker is correctly connected between inverter LOAD port & critical load, circuit breaker: OFF.
8. For lithium battery, please ensure that the communication cable has been correctly connected.
9. For the lead-acid battery, please ensure that the NTC wire has been correctly connected.

6.3 Starting the inverter

Please follow below steps to switch the inverter ON.

1. Make sure there's no power generation in inverter from grid.

2. Turn ON DC switch.
3. Switch ON the battery. Turn ON DC isolator between battery & inverter.
4. Turn ON AC circuit breaker between the inverter GRID port & GRID.
5. Turn ON AC circuit breaker between the inverter LOAD port & critical load.
6. Inverter should start to operate now.

6.4 Initial setup

You need to set the following parameters before inverter starts to operate.

Table. 6-1 set the parameter

| Parameter | Note |
|-----------------------------------|---|
| 1) Language setting | The default is English |
| 2) System time setting | If you are connected to the server or using the App, the time is set to the local time automatically |
| 3) Safety parameter import | Refer to the country code table below and select country and code. |
| 4) Set the input channel | With the Input Channel Configuration you define if PV and / or batteries are connected and in what configuration. If an input channel is not used, select (Not use) |
| Bat Channel1 | If a battery is connected to BAT1 input, select "Bat Input1", otherwise "Not Use" |
| Bat Channel2 | if a second battery is connected to BAT2 independently, select "Bat Input2" If one battery is connected in parallel to BAT1 and BAT2, select "Bat Input1", otherwise "Not Use" |
| PV Channel1 | if PV strings are connected to PV1 independently, select "PV Input 1", |

| | |
|---|---|
| <p>PV Channel2</p> | <p>otherwise “Not Use” if PV strings are connected to PV2 independently, select “PV Input 2” If PV strings are connected to PV2 in parallel to PV1, select “PV Input 1”, otherwise “Not Use”</p> |
| <p>5) Set battery parameters</p> | <p>Default values can be set according to the input channel configuration in Menu Advanced Settings - Battery Parameter:</p> <hr/> <p>Select Battery Type</p> <hr/> <p>Max. charging current (25A)</p> <hr/> <p>Max. discharging current (25A)</p> <hr/> <p>Discharge Depth (80%)</p> |

The default operating mode is the Self-use Mode.
EPS Mode, Unbalanced Support, Feed-in Limitat, IV-Curve Scan and Logic interface are disabled.

6.4.1 Configuring the battery setup

The HYD 5/6/8KTL-3PH models have one battery input (max. current 25 A). The HYD 10/15/20KTL-3PH models have two battery inputs (max. current 25 A / 25 A).

Battery inputs can be connected and set in parallel mode to reach 50 A / 70 A.

6.4.2 Configuring Parallel Inverter System

To increase the system's EPS and grid power, the HYD 5/6/8/10/15/20KTL-3PH can be parallely connected at the Grid port and the EPS port.

For the communication setup, please follow the following steps:

- 1) Set the Master unit
- 2) Set the Slave units

NOTE

- Each inverter must have a unique parallel address

Setting the country code

NOTE

- Different distribution network operators in various countries have differing requirements for the grid connection of grid-coupled PV inverters.
- Ensure that you have selected the correct country code according to regional authority requirements, and consult a qualified electrician or employees of electrical safety authorities.
- SOFAR is not responsible for the consequences of selecting the incorrect country code.
- The selected country code influences the device grid monitoring. The inverter continuously checks the set limits and, if required, disconnects the device from the grid.

6.5 Smartphone app SOFAR Setting

The Sofar Cloud Monitoring app allows for easy initial setup as well as advanced configurations. You can download it on the major mobile application platforms or scan the following QR code through your browser to download.

Download link:



Scan the QR code on the inverter through the App or connect the inverter with Bluetooth to set the inverter data

NOTE

- If Bluetooth connection fails for many times, please contact us.

7 Operation of the device

This chapter describes the LCD and LED displays of the HYD 5/6/8/10/15/20KTL-3PH inverter.

7.1 Control panel and display field

7.1.1 Buttons and display lights

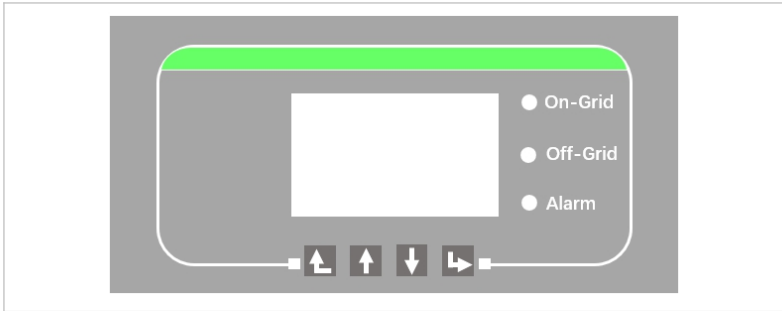






Figure. 6-1 Main interface

Buttons

| Button | Name | Description |
|---|-------|---|
|  | Back | Previous screen, enter menu |
|  | Up | Select previous menu item, increase setting value |
|  | Down | Select next menu item, decrease setting value |
|  | Enter | Enter Menu item, select next digit, confirm setting |

LEDs

| State | Colour | State |
|----------|------------------|---------|
| On-grid | Green | Normal |
| | Green (flashing) | Standby |
| Off-grid | Green | Normal |
| | Green (flashing) | Standby |
| Alarm | Red | Error |

7.2 Standard display

The screen shows all relevant information of the inverter:

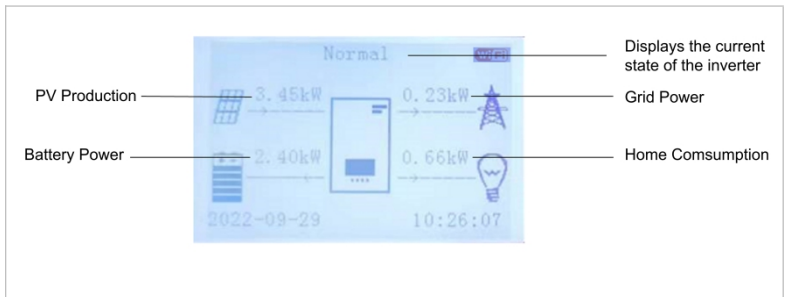


Figure. 6-2 LCD display



Press Up button, to show PV Information like voltage, power and frequency



Press Up button again to show Grid Output Information like voltage, power and frequency



Press Up button again to show Grid Information such as power and IMPORT PF



Press Up button again to show Load Information like Load Power



Press Up button again to show Battery Information(BAT1) like current, power, state of charge etc.



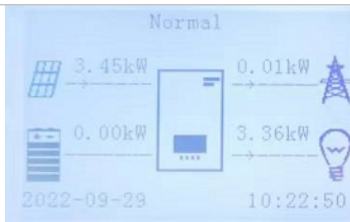
Press Up button again to show Battery Information(BAT2) like current, power, state of charge etc.

7.3 Energy storage modes

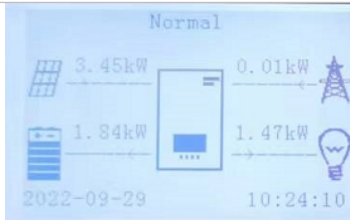
The HYD 5/6/8/10/15/20KTL-3PH comes with several integrated energy management modes.

7.3.1 Self-use Mode

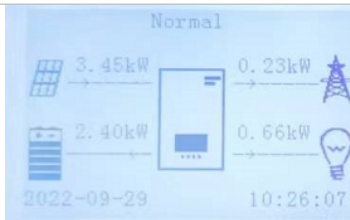
In the Self-use mode, the inverter will automatically charge and discharge the battery according to the following rules:



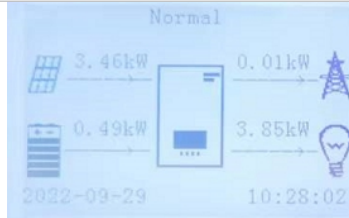
If PV generation equals the load consumption ($\Delta P < 100\text{ W}$), the inverter won't charge or discharge the battery



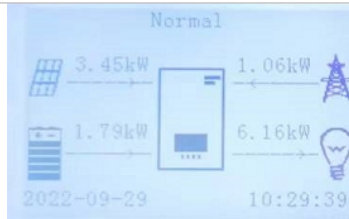
If PV generation is larger than the load consumption, the surplus power is stored in the battery



If the battery is full or at maximum charging power, the excess power will be exported to the grid



If the PV generation is less than the load consumption, it will discharge the battery to supply power to the load.



If PV generation plus Battery discharge power is less than the load, the inverter will import power from the grid.

The priority of power supply: PV, Battery, Grid

The priority of power consumption: Loads, Battery, Grid

NOTE

- If it is not allowed to export power to the grid, a smart meter and/or CT needs to be installed, and the "feed-in limit" function needs to be enabled.

7.3.2 Time-of-Use Mode

| Set Time-of-use Mode | | | |
|------------------------------------|--------------------|--------|--------|
| Rule 0: | Enabled / Disabled | | |
| From | To | SOC | Charge |
| 02h00m | - | 070% | 01000W |
| 04h00m | | | |
| Effective | date | | |
| Dec.22 | - | Mar.21 | |
| Weekday | select | | |
| Mon. Tue. Wed. Thu. Fri. Sat. Sun. | | | |

If no rule applies, the Self-use Mode is active.

7.3.3 Timing Mode

With the Timing Mode you can define fixed times of the day to charge or discharge the battery with a certain power.

Up to 4 rules (rule 0, 1, 2 and 3) can be set. If more than one rule is valid for any given time, the rule with the lower number is active. Each rule can be enabled or disabled, also charging and discharging period for a rule can be enabled separately.

In below example, the battery will be charged with 2 kW between 22 and 4 o'clock at night, and discharged with 2,5 kW between 14 and 16 o'clock:

| | |
|---|-----------|
| Timing Mode | |
| Rule 0: Enabled / Disabled / Enabled charge / Enabled discharge | |
| Charge Start | 22 h 00 m |
| Charge End | 05 h 00 m |
| Charge Power | 02000 W |
| DisCharge Start | 14 h 00m |
| DisCharge End | 16 h 00m |
| DisCharge Power | 02500 W |

7.3.4 Passive Mode

The passive mode is used in systems with external energy management systems. The inverter's operation will be controlled by the external controller using the Modbus RTU protocol. Please contact SOFAR if you need the Modbus protocol definition for this device.

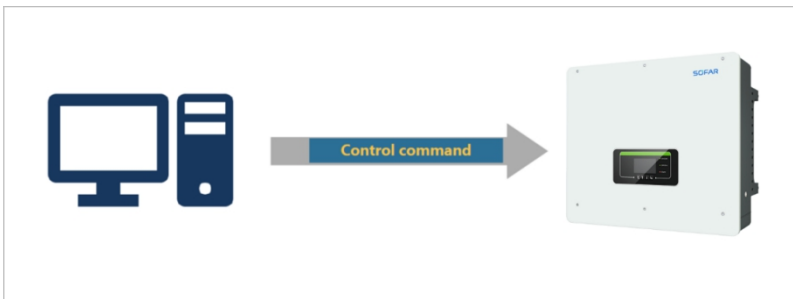


Figure. 6-3 external control of inverter

7.3.5 Peak Shaving Mode

Used to limit the maximum power priority purchased from the grid. The maximum purchasing power can be set in this mode. When the system preferentially buys more power from the grid than the set value, the battery starts discharging and stabilizes the system power at the set value.

Application:

Peak Shaving Mode allows the grid to supply power to the load first. Applicable to the occasions where electricity price is charged according to electricity consumption and the occasions where the power grid is weak. In the weak grid situation, batteries start only when the load power exceeds a certain value, which reduces the maximum power of the connecting point and prolongs the battery life.

7.3.6 Off-grid Mode

When the SOC of the battery is sufficient and can be discharged, it is preferred to use the battery in off-grid load mode (even if the power grid exists). After the battery enters the state of power loss, it will be transferred to the power grid or generator for load, and the battery will be charged.

1.AC Source

Grid charge: After the battery enters the state of power loss, it is transferred to the grid to carry the load and charge the battery.

DG charge: After the battery enters the state of power loss, it is transferred to the generator to carry the load and charge the battery.

2.AC Charge

AC Charge: The sum of the power input to the power grid or generator after battery loss and when charging the battery.

Note: When AC Source is set to DG charge, the generator can be started through Genset Mode in dry contact Control.

EODO: EPS Discharge Depth

EPSbuffer: Safety Buffer

Application:

When the local power grid is unstable or generators are used.

7.3.7 Manual Genset Mode

(energy storage mode → generator mode)

Applicable scenario 2 : Users want to manually switch the power grid and generator. When the power grid is powered off, the generator is manually started. When the power grid is restored, the generator is manually closed and connected to the power grid.

Scenario 2: The user manually controls the start and stop of the generator

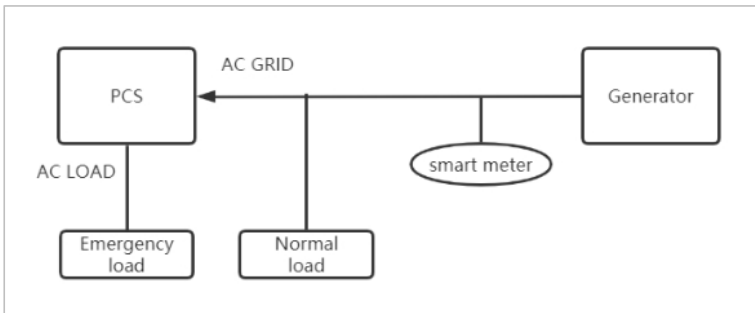


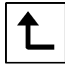
Figure. 6-4 Schematic diagram of Genset Mode

1. Connect according to the wiring diagram. The address of Chint electricity meter is set to 01, and the address of Ankeri electricity meter is set to 05 (If you need to configure other meters, please contact us for specific adaptation)
2. Select energy storage mode in the menu → Manual generator mode → Set generator input power
3. The user manually starts the generator
4. When the user wants to switch off the generator to battery power supply and grid power supply, he needs to manually turn off the generator and select other energy storage modes

NOTE

- The set generator power cannot exceed the rated power of the generator
- In order to prevent generator damage during generator operation, PV and battery energy will not be output inversely. At this time, PV energy is used for battery charging

7.4 Menu structure

Press the  button to bring up the main menu.

Main menu

1. System Settings

2. Advanced Settings

3. Energy Statistics

4. System information

5. Event list

6. Software update

7. Battery real-time Info (only with the BTS battery system)

NOTE

- The menu layout may vary according to different firmware versions.

“System Settings” menu

In this menu you can do the basic settings which are needed to operate the device.

| | |
|--------------------------------|---|
| 1. Language Settings | Sets the display language |
| 2. Time | Sets the system time of the inverter |
| 3. Safety Param. | Sets the country and grid code |
| 4. Energy Storage Mode | Select between Self-use mode (Standard), time-of-use mode, timing mode, passive mode. See “Storage Modes” chapter for details. |
| 5. Input Channel Config | With the Input Channel Configuration you define if PV and / or batteries are connected and in what configuration. |
| Bat Channel1 | If a battery is connected to BAT1 input, select “Bat Input1”, otherwise “Not Use” |
| Bat Channel2 | if a second battery is connected to BAT2 independently, select “Bat Input2” If one battery is connected in parallel to BAT1 and BAT2, select “Bat Input1”, otherwise “Not Use” |
| PV Channel1 | if PV strings are connected to PV1 independently, select “PV Input 1”, otherwise “Not Use” |
| PV Channel2 | if PV strings are connected to PV2 independently, select “PV Input 2” If PV strings are connected to PV2 in parallel to PV1, select “PV Input 1”, otherwise “Not Use” |
| 6. EPS Mode | Enable / Disable the emergency power supply mode (EPS). It is only available if a battery is connected |
| 7. Communication Addr. | Enter the Modbus address (when several inverters require simultaneous monitoring), standard: 01 Baud Rate: The default baud rate is 9600 |

“Advanced Settings” menu

NOTE

Password

- Several settings require a password to be entered (the standard password is 0001).

In this menu you can do advanced settings.

| | |
|------------------------------|---|
| 1. Battery Parameters | Set the battery parameters for Battery 1 and Battery 2. Depending on the selected Battery Type, more settings can be adjusted. See details below. |
| 1.1 Battery 1 | |
| Auto Cfg | Automatic battery configuration (only available for SOFAR battery types). Detects all battery modules and the assignment to the battery inputs. |
| Battery Capacity (kWh) | Set the capacity of connected battery |
| Battery Address | (only for batteries with integrated BMS) Up to 4 battery addresses for each Battery Input Channel can be set. This is the CAN bus or Modbus ID of each battery stack connected to the Battery Input, depending on the bus type between inverter and the BMS. |
| Nominal Battery Voltage (V) | Nominal DC voltage of the battery |
| Battery Cell Type | (for inverter-integrated BMS) |
| Max. Charging Current (A) | Max. allowed charging current for the battery |
| Max. Discharging Current | Max. allowed discharging current |

| | |
|-----------------------------------|---|
| (A) | for the battery |
| Discharge Depth (%) | Max. allowed discharge depth (DOD) for the battery. DOD of 80% means, a battery with 10 kWh capacity can be discharged to a minimum energy level of 2 kWh. |
| Discharge Depth | Max. Depth of Discharge (DOD) for grid-connected mode. Standard 80%. When setting the BTS-5K battery discharge depth, the maximum limit is 90% to prevent the battery from being too low to recharge. |
| EPS Discharge Depth | Depth of Discharge (DOD) for EPS mode. Standard: 80% |
| EPS Safety Buffer | State of charge (SOC), where the battery will be recharged in EPS mode. Standard: 20% |
| Set Force Charge Time | Define the time for the forced charge. Forced charging takes place when the SOC of the battery falls below 8%. |
| 1.2 Auto Configure Address | Select "Auto configure address", you can see "Battery quantity" after entering, and you can configure the quantity by yourself |
| 2. Battery Active | |
| Auto Active Control | Enable / disable. If Automatic activation is enabled, the inverter will activate the battery when the inverter need to discharge or charge the battery according to the operational mode settings. If automatic activation is disabled, the battery has to be activated manually by selection |

| | |
|------------------------------------|--|
| | the “Force active” menu item. |
| Force Active | Select “Force active” to activate a battery from standby mode |
| 3. Set Feed-in Limit | Activates or deactivates the feed-in power function of the inverter and sets the maximum feed-in power. This function must be used together with an external current transformer or the smart meter. Details regarding this can be found in the “Communications interfaces” chapter of this manual |
| Feed-in Limit | Disable: Do not use this function Three phase limit: the sum of all phases is regulated (balancing counting as is common in Germany). Feed-in Limit: the power of the feeding-in phases is limited. |
| 4. IV Curve Scan | Cyclical scanning of the IV curve in order to find the global point of the maximum output. Advisable in the case of shaded solar generators |
| Scan Control | Enable / disable IV curve scan function |
| Scan Period | Set scan period in minutes |
| Force Scan | Manually start IV curve scanning |
| 5. Logic Interface | Activates or deactivates logical interfaces. Details regarding this can be found in the “Communications interfaces” chapter of this manual |
| 6. Restore Factory Settings | Resets stored data in the inverter |
| Clear Energy Data | Clears total power production |
| Clear Events | Clears historical events |
| Restore Factory Settings | Clears total power production and historical events |
| 7. Parallel Setting | Defines configuration for parallel |

| | |
|-------------------------------|--|
| | inverter operation (Master/Slave) |
| Parallel Control | For inverters connected with Link port to each other, you set Parallel Control to “Enable” |
| Parallel Primary-Replica | One Inverter need to be set as Master (Primary), all other inverters need to be set to Slave (Replica) |
| Parallel Address | Set each inverter with an individual parallel address. (It is an independent number from Modbus ID) |
| Save | After changes, select “save” item to save the settings |
| 8. Reset Bluetooth | Resets the Bluetooth interface of the inverter if the device is not found by the Sofar View App |
| 9. CT Calibration | <p>This function is used to correct the direction and grid phase assignment of the CTs directly connected to the inverter. During CT Calibration, the inverter must be connected to a battery and the grid.</p> <p>It is recommended to turn off the load during calibration. If calibration fails, check if the battery can be charged/discharged correctly</p> |
| 10. Switch On / Off | The inverter can be switched on, switched off, set to standby or set to normal operating mode, which can be useful for installation or maintenance work |
| 11. Unbalanced Support | <p>Default setting: disabled</p> <p>In situations where the customer only wants to support the local loads or has a zero-export limit across all three phases. When used in conjunction with the</p> |

| | |
|----------------------------------|--|
| | <p>supplied three-phase smart meter and with this option set to "enable", the per phase output current of the inverter will respond independently. Important: for this function to operate properly, the phase on the smart meter must correlate to the corresponding phase when it is wired into the inverter.</p> <ol style="list-style-type: none"> 1. After setting the EPS mode enable in standby mode, the unbalanced support function will automatically start. 2. After the facility EPS mode is enabled in the grid connection state, the unbalanced support function will automatically start after the standby mode |
| 12. PV priority charging* | Up to 200 W of PV power is used for battery charging, the rest in the normal priority: load, battery charging, grid feed-in. |
| 13. EPS GFCI* | Activates RCD type B monitoring in EPS mode (300 mA) |
| 14. NeutralPointGrounding | When using off-grid mode, ensure that neutral ground is enabled. For Australia, South Africa, and New Zealand, neutral ground is turned off by default, refer to 5.3 System Overview |
| 15. Dry Contact Control | |
| Disable | No use this function |
| Generators Mode | can start and stop a generator |
| RelayOpenIn EPS | In EPS mode, the dry contact interface will output a 12V signal |
| RelayCloseIn EPS | In grid-tied mode, the dry contact interface will output a 12V signal |

* Function 12,13 are available from firmware version V10.

NOTE

- The inverter (Available from hardware version V003) has built-in relays to control the short circuit of the load N line to ground when off-grid.
- When the inverter is off-grid and the load N line and PE line are short-connected, if the power grid is restored and the load N line and PE line are still short-connected, leakage protection will be triggered and explosion hazard will not be caused.

“Energy Statistics” menu

| | |
|-----------------|--|
| Today | Press Down button to move between items |
| Month | |
| Year | Shows PV, Load, Export, Import, Charge, Discharge Energy (kWh) for the selected period |
| Lifetime | |

“System Information” menu

| | |
|-------------------------|---|
| 1. Inverter Info | |
| Inverter Info (1) | Serial number, Power Level |
| Inverter Info (2) | Software Version(To view the software version, enter password 0001), Country, Country Code Version |
| Inverter Info (3) | Bat Channel1, Bat Channel2, PV Channel1, PV Channel2 |
| Inverter Info (4) | Energy Storage Mode, RS485 Address, EPS Mode, IV Curve Scan |
| Inverter Info (5) | DRM0 Control, PF Time Setting, QV Time Setting, Power Factor |
| Inverter Info (6) | Feed-in Limit, Insulation resistance, Parallel Control, Unbalanced Support |
| Inverter Info (7) | Battery Active |
| 2. Battery Info | |

| | |
|-------------------------|--|
| Bat1 Information (1) | Battery Type, Discharge Depth , EPS Safety Buffer |
| Bat1 Information (2) | The Start time and the End time of Force filling |
| Bat1 Information (3) | Battery Address |
| Bat2 Information (1) | Battery Type, Discharge Depth , EPS Safety Buffer |
| Bat2 Information (2) | The Start time and the End time of Force filling |
| Bat2 Information (3) | Battery Address |
| 3. Safety Param. | |
| Safety Param. (1) | Over- / under-voltage protection |
| Safety Param. (2) | Over- / under-frequency protection |
| Safety Param. (3) | 10 Min. overvoltage protection |
| 4.debug Info | |
| bug info | DSP1 version, state1, state2, state3, state4, state5, state6 |

“Event List” menu

The event list is used to display the real time event recordings, including the total number of events and each specific ID no. and event time. The most recent events are listed at the top.

2. Event list

| | |
|--------------------------|--|
| Current EventList | Show latest event |
| History EventList | Show event history |
| Fault information | 001 ID04 06150825 (display of the event sequence number, event ID number and time that the event takes place) |

“Sofatware update” menu

The user can update the software via the USB flash drive. SOFAR will provide the firmware update when it is required.

7.5 Firmware update

NOTE

- If you want to do a firmware update, please upgrade with PV input or grid status, the update will fail if only the battery is connected.

Please follow the steps below to update the firmware.

1. Insert the USB stick into the computer.
2. SOFAR will send the firmware update to the user.
3. Unzip the file and copy the original file to a USB stick. Attention: The firmware update file must be in the "firmware" subfolder!
4. Press the "Back" on the main interface to enter the main menu page, and select "2.Advanced Settings - Switch On/Off -Switch Off". Make the inverter shut down safely.
5. Insert the USB flash drive into the USB interface of the inverter.
6. Go to menu item "6.Software update" on the LCD display.
7. Enter the password (the standard password is 0715) and then select "Software Upgrade (PCS)".
8. The system will then successively update the main DSP, auxiliary DSP and ARM processors. Pay attention to the displays.
9. If an error message appears, please upgrade again.If this continues many times, contact technical support for help.
10. After the update is complete, Go to menu item "Advanced Settings - Switch On/Off - Switch On" to make the inverter start up and run.
11. You can check the current software version in item "1.Inverter Info (2)" of the SystemInfo menu. Enter the password (the standard password is 0715) to see it.

8 Troubleshooting handling

8.1 Troubleshooting

This section contains information and procedures pertaining to the remedying of potential problems with the inverter.

To carry out troubleshooting, proceed as follows:

- Check the warnings, error messages or error codes displayed on the screen of the inverter.

If no error information is displayed on the screen, check whether the following requirements have been fulfilled:

- Has the inverter been set up in a clean, dry, well-ventilated area?
- Is the DC switch set to ON?
- Are the cables sufficiently dimensioned and short enough?
- Are the input connections, output connections and the wiring all in good condition?
- Are the configuration settings for the relevant installation correct?
- Are the display field and the communication cables correctly connected and undamaged?

Follow the steps below to view recorded problems: Press "Back" to enter the main menu in the normal interface. In the interface screen select "Event List", then press "OK" to enter events.

8.1.1 Shutdown procedure

If the inverter needs to be shut down for electrical inspection, please follow the following steps:

1. Press the "Back" on the main interface to enter the main menu page, and select Advanced Settings - Switch On/Off - Switch Off. Make the inverter shut down safely.
2. Note: after using the menu setting to shut down the inverter, the inverter should be checked and reenergising, it still needs to be on the main menu page. Select advanced

Settings - Switch On/Off- Switch On. start up to enable the inverter to start up and run.

3. Disconnect the AC circuit breaker connecting the inverter power grid port to the power grid.
4. Disconnect the AC breaker connecting the inverter load port to the emergency load.
5. Disconnect the PV side DC switch.
6. Turn off the battery and disconnect the DC switch between the battery and the inverter.
7. Wait for 5 minutes before checking the inverter.

8.1.2 Earth fault alarm

This inverter is compliant with IEC 62109-2 Clause 13.9 and AS/NZS 5033 for earth fault protection.

If an earth fault alarm occurs, the error is displayed on the LCD screen, the red light illuminates and the error can be found in the error history log.

When the inverter is connected to the battery system, when the battery system has ground fault/leak alarm in accordance with AS/NZS 5139, the inverter will also alarm. The alarm method is the same as above.

NOTE

- In the case of devices equipped with a stick logger, the alarm information can be viewed on the monitoring portal and retrieved via the smartphone app.

8.2 Error list

| Code | Name | Description | Solution |
|-------|---------|---|--|
| ID001 | GridOVP | The voltage of the power grid is too high | If the alarm occurs occasionally, the possible cause is that the electric grid is abnormal occasionally. |
| ID002 | GridUVP | The voltage of the mains is too low | |

| | | | |
|-------|---------|---------------------------------|---|
| ID003 | GridOFP | The mains frequency is too high | Inverter will automatically return to normal operating status when the electric grid's back to normal. |
| ID004 | GridUFP | The mains frequency is too low | <p>If the alarm occurs frequently, check whether the grid voltage/frequency is within the acceptable range. If yes, please check the AC circuit breaker and AC wiring of the inverter.</p> <p>If the grid voltage/frequency is NOT within the acceptable range and AC wiring is correct, but the alarm occurs repeatedly, contact technical support to change the grid over-voltage, under-voltage, over-frequency, under-frequency protection points after obtaining approval from the local electrical grid operator.</p> |
| ID005 | GFCI | Charge Leakage Fault | Check for inverter and wiring. |

| | | | |
|-------|----------------|--|---|
| ID006 | OVRT | OVRT function is faulty | <p>If the alarm occurs occasionally, the possible cause is that the electric grid is abnormal occasionally. Inverter will automatically return to normal operating status when the electric grid's back to normal.</p> |
| ID007 | LVRT | LVRT function is faulty | |
| ID008 | IslandFault | Island protection fault | |
| ID009 | GridOVPIstant1 | Transient overvoltage of mains voltage 1 | |
| ID010 | GridOVPIstant2 | Transient overvoltage of mains voltage 2 | |
| ID011 | VGridLineFault | Power grid line voltage error | <p>If the alarm occurs frequently, check whether the grid voltage/frequency is within the acceptable range. If yes, please check the AC circuit breaker and AC wiring of the inverter.</p> <p>If the grid voltage/frequency is NOT within the acceptable range and AC wiring is correct, but the alarm occurs repeatedly, contact technical support to change the grid over-voltage, under-voltage, over-frequency, under-frequency protection points after obtaining approval from the local electrical grid operator.</p> |
| ID012 | InvVoltFault | Inverter overvoltage | Internal faults of |

| | | | |
|-------|-------------------|--|---|
| ID013 | RefluxFault | Feed-in Limit function is faulty | inverter, switch OFF inverter, wait for 5 minutes, then switch ON inverter. Check whether the problem is solved. If no, please contact technical support. |
| ID014 | VGridUnbalance | unbalanced source voltage | |
| ID015 | InvOVPIinstant | The inverter instantaneous value overvoltage | |
| ID016 | GridPhaseMutation | Abrupt change of grid phase | |
| ID017 | HwAErrGrid | Power grid current sampling error | |
| ID018 | HwAErrDCI(AC) | Wrong sampling of dc component of grid current | |
| ID019 | HwAErrVGrid(DC) | Power grid voltage sampling error (DC) | |
| ID020 | HwAErrVGrid(AC) | Power grid voltage sampling error (AC) | |
| ID021 | HwGFCIFault(DC) | Leakage current sampling error (DC) | |
| ID022 | HwGFCIFault(AC) | Leakage current sampling error (AC) | |
| ID023 | HwAErrDCV | Error in dc component sampling of load voltage | |
| ID024 | HwAErrIdc | DC input current sampling error | |
| ID025 | HwAErrDCI(DC) | DCI Sampling Error (DC) | |
| ID026 | HwAErrIdcBranch | The branch current is incorrectly sampled | |
| ID027 | PVLowImpedance | PV- Low ground impedance | |
| ID028 | PIDAbnormalOut | PID abnormal output | |

| | | | |
|-------|------------------|---|--|
| ID029 | ConsistentGFCI | Leakage current consistency error | |
| ID030 | ConsistentVgrid | The line voltage sample between the master DSP and the slave DSP is not consistent. | |
| ID031 | ConsistentDCI | DCI consistency error | |
| ID032 | N-PE fault | | |
| ID033 | SpiCommFault(DC) | SPI communication error (DC) | |
| ID034 | SpiCommFault(AC) | SPI communication error (AC) | |
| ID035 | SChip_Fault | Chip error (DC) | |
| ID036 | MChip_Fault | Master chip error (AC) | |
| ID037 | HwAuxPowerFault | Auxiliary power error | |
| ID038 | InvSoftStartFail | Inverter failed to output | |
| ID039 | ArcShutdownAlarm | Arc shutdown protection | |
| ID040 | LowLightChkFail | Low light detection failed | |
| ID041 | RelayFail | Relay detection failure | |
| ID042 | IsoFault | Insulation resistance is too low | Check the insulation resistance between the photovoltaic array and ground (ground), if there is a short circuit, the fault should be |

| | | | |
|-------|-------------------|---------------------------------------|--|
| | | | repaired in time. |
| ID043 | PEConnectFault | Earth fault | Check the PE conductor for function |
| ID044 | InputConfigError | Incorrect input mode configuration | Check the input mode (parallel/independent mode) Settings for the inverter. If not, change the input mode. |
| ID045 | CTDisconnect | CT error | Check that the wiring of the current transformer is correct. |
| ID046 | ReversalConnect | The battery is connected reversedly | Check whether the battery wiring is correct. |
| ID047 | ParallelFault | Master does not exist or is duplicate | Check the parallel mode settings for the inverter. Check whether the wiring is correct. |
| ID048 | SNTypeFault | Serial number fault | Internal faults of inverter, switch OFF inverter, wait for 5 minutes, then switch ON inverter. Check whether the problem is solved. If no, please contact technical support. |
| ID049 | TempErrBat | Battery temperature error | For Inner BMS battery, make sure that the battery NTC cable is properly connected. Make sure the inverter is |
| ID050 | TempErrHeatSink 1 | Temperature error heat sink 1 | |
| ID051 | TempErrHeatSink 2 | Temperature error heat sink 2 | |

| | | | |
|-------|-------------------|---|---|
| ID052 | TempErrHeatSink 3 | Heat sink temperature error 3 | installed where there is no direct sunlight. Please ensure that the inverter is installed in a cool/well ventilated place. Ensure the inverter is installed vertically and the ambient temperature is below the inverter temperature limit. |
| ID053 | TempErrHeatSink 4 | Temperature error heat sink 4 | |
| ID054 | TempErrHeatSink 5 | Temperature error heat sink 5 | |
| ID055 | TempErrHeatSink 6 | Temperature error heat sink 6 | |
| ID057 | TempErrEnv1 | Temperature error ambient temperature 1 | |
| ID058 | TempErrEnv2 | Ambient temperature 2 Protection | |
| ID059 | TempErrInv1 | Temperature error module 1 | |
| ID060 | TempErrInv2 | Module 2 Temperature protection | |
| ID061 | TempErrInv3 | Module 3 Temperature protection | |
| ID062 | TempDiffErrInv | Excessive module temperature difference | |
| ID065 | BusRmsUnbalance | Asymmetrical bus voltage RMS | Internal error of the inverter. Switch off the inverter, wait 5 minutes and then switch the unit on again. If the error persists, contact technical support. |
| ID066 | BusInstUnbalance | The transient value of the bus voltage is unbalanced | |
| ID067 | BusUVP | The DC bus voltage is too low during mains connection | |
| ID068 | BusZVP | The DC bus voltage is too low | |
| ID069 | PVOVP | The PV input voltage is too high | Check whether the PV series voltage (Voc) is higher than the maximum input |

| | | | |
|-------|--------------|---|---|
| | | | voltage of the inverter. If this is the case, adjust the number of PV modules in series. After the correction, the inverter automatically returns to its normal state. |
| ID070 | BatOVP | Battery overvoltage | Check whether the voltage of the battery is higher than the maximum input voltage of the inverter. If this is the case, adjust the number of battery modules in series. |
| ID071 | LLCBusOVP | LLC Bus overvoltage protection | Internal error of the inverter. Switch off the inverter, wait 5 minutes and then switch the unit on again. If the error persists, contact technical support. |
| ID072 | SwBusRmsOVP | Inverter bus voltage RMS Software overvoltage | |
| ID073 | SwBusIOVP | Inverter bus voltage instantaneous Software overvoltage | |
| ID074 | FlyingCapOVP | Flying trans-capacitor overvoltage protection | |

| | | |
|-------|----------------|--|
| ID075 | FlyingCapUVP | Flying cross-capacitor undervoltage protection |
| ID076 | PVUVP | PV undervoltage |
| ID081 | SwBatOCP | Software overcurrent protection of the battery |
| ID082 | DciOCP | Dci overcurrent protection |
| ID083 | SwIOCP | Instantaneous output current protection |
| ID084 | SwBuckBoostOCP | BuckBoost software sequence |
| ID085 | SwAcRmsOCP | Output RMS current protection |
| ID086 | SwPvOCPInstant | PV overcurrent software protection |
| ID087 | IpvUnbalance | PV flows in uneven parallelism |
| ID088 | IacUnbalance | Unbalanced output current |
| ID089 | SwPvOCP | PV software overcurrent protection |
| ID090 | IbalanceOCP | Balanced current protection |
| ID091 | ResOver | Resonance protection |
| ID092 | SwAcCBCFault | Software current limiting protection by wave |
| ID093 | SwPvBranchOCP | PV branch software overcurrent (enabled by |

| | | | |
|-------|----------------|---|--|
| | | default) | |
| ID097 | HwLLCBusOVP | LLC bus hardware overvoltage | |
| ID098 | HwBusOVP | Inverter bus hardware overvoltage | |
| ID099 | HwBuckBoostOCP | BuckBoost hardware overflows | |
| ID100 | HwBatOCP | Battery hardware overflow | |
| ID102 | HwPVOCP | PV hardware overflows | |
| ID103 | HwACOCP | Mains current is too high and has triggered hardware protection | |
| ID104 | HwDiffOCP | Hardware differential overcurrent | |
| ID105 | MeterCommFault | Communication fault with meter unit | Check communication to meter. |
| ID106 | SNMachineFault | Serial number type error | |
| ID107 | HwVerError | The hardware version does not match | |
| ID110 | Overload1 | Overload protection 1 | Please check whether the inverter is operating under overload. |
| ID111 | Overload2 | Overload protection 2 | |
| ID112 | Overload3 | Overload protection 3 | |

| | | | |
|-------|------------------|--|--|
| ID113 | OverTempDerating | The inverter has throttled due to too high a temperature | <p>Make sure that the inverter has been installed in a cool and well-ventilated place without direct sunlight.</p> <p>Make sure the inverter is installed vertically and the ambient temperature is below the temperature limit of the inverter.</p> |
| ID114 | FreqDerating | AC frequency is too high | <p>Make sure that the mains frequency and voltage are within the permissible range.</p> |
| ID115 | FreqLoading | AC frequency is too low | |
| ID116 | VoltDerating | AC voltage is too high | |
| ID117 | VoltLoading | AC voltage is too low | |
| ID118 | LowTempDerating | Low temperature load reduction | |
| ID121 | SpdFail(DC) | Lightning Protection Failure (DC) | |
| ID122 | SpdFail(AC) | Lightning Protection failure (AC) | |
| ID124 | BatDchgProhibit | No battery protection | <p>Please check if the battery voltage of the inverter is too low.</p> |
| ID125 | BatLowVoltShut | Low battery voltage shutdown | |
| ID129 | PermHwAcOCP | Mains current is too high and has caused an unrecoverable hardware fault | <p>Internal error of the inverter. Switch off the inverter, wait 5 minutes and then switch the unit on again. If the error persists,</p> |
| ID130 | PermBusOVP | Bus voltage is too high and has caused a non- | |

| | | | |
|-------|------------------|---|--|
| | | recoverable fault | contact technical support. |
| ID131 | PermHwBusOVP | Permanent bus hardware failure due to overvoltage | |
| ID132 | PermlpvUnbalance | Input current is unbalanced and has caused an unrecoverable fault | |
| ID133 | PermEPSBatOCP | Permanent battery overcurrent error in EPS mode | |
| ID134 | PermAcOCPInstant | Permanent error due to transient overcurrent | |
| ID135 | PermlacUnbalance | Permanent unbalanced output current error | |
| ID136 | PermlnvStartFail | The soft startup of the inverter fails | |
| ID137 | PermlnCfgError | Permanent input mode configuration error | Check the MPPT input mode setting (parallel mode/independent mode) of the inverter and correct it if necessary. |
| ID138 | PermDCOCPInstant | Permanent input overcurrent error | |
| ID139 | PermHwDCOCP | Permanent input hardware overcurrent error | Internal error of the inverter. Switch off the inverter, wait 5 minutes and then switch the unit back on. If the error persists, contact technical |

| | | | |
|-------|------------------|---|---|
| | | | support. |
| ID140 | PermRelayFail | Permanent error of the mains relay | |
| ID141 | PermBusUnbalance | The bus voltage is unbalanced and has caused an unrecoverable error | |
| ID142 | PermSpdFail(DC) | surge protection | |
| ID143 | PermSpdFail(AC) | surge protection | |
| ID144 | PermGridRlyFail | Grid relay fault | |
| ID145 | USBFault | USB error | Check the USB connection of the inverter. |
| ID146 | WifiFault | Wifi error | Check the inverter's WiFi connection. |
| ID147 | BluetoothFault | Bluetooth error | Check the Bluetooth connection of the inverter. |
| ID148 | RTCFault | RTC clock failure | Internal error of the inverter. Switch off the inverter, wait 5 minutes and then switch the unit back on. If the error persists, contact technical support. |
| ID149 | CommEEPROMFault | EEPROM error of the communication card | |
| ID150 | FlashFault | Communication card FLASH error | |
| ID152 | SafetyVerFault | | |
| ID153 | SCILose(DC) | SCI | |

| | | | |
|-------|---------------|--------------------------------------|---|
| | | communication error (DC) | |
| ID154 | SCILose(AC) | SCI communication error (AC) | |
| ID155 | SCILose(Fuse) | SCI communication error (fuse) | |
| ID156 | SoftVerError | Inconsistent software versions | Download the latest firmware from the website and launch the software update. If the error persists, contact technical support. |
| ID157 | BMS1CommFault | Lithium battery1 communication error | Make sure your battery is compatible with the inverter. CAN communication is recommended. Check the communication line or the connection of the battery and the inverter for errors. |
| ID158 | BMS2CommFault | Lithium battery2 communication error | Make sure your battery is compatible with the inverter. CAN communication is recommended. Check the communication line or the connection of the battery and the inverter for errors. |
| ID159 | BMS3CommFault | Lithium battery 3 | |

| | | | |
|-------|----------------|--|---|
| | | Communication is faulty | |
| ID160 | BMS4CommFault | Lithium battery 4 Communication is faulty | |
| ID161 | ForceShutdown | Forced shutdown | The inverter has been forcibly disconnected. |
| ID162 | RemoteShutdown | Remote shutdown | The inverter is shut down remotely. |
| ID163 | Drms0Shutdown | DRM 0 shutdown | The inverter is running with a Drms0 shutdown. |
| ID164 | PSCommFault | Power station communication failure shut down | |
| ID169 | FanFault1 | Fan 1 fault | Check if the corresponding fan of the inverter is running normally. |
| ID170 | FanFault2 | Fan 2 fault | |
| ID171 | FanFault3 | Fan 3 fault | |
| ID172 | FanFault4 | Fan 4 fault | |
| ID173 | FanFault5 | Fan 5 fault | |
| ID174 | FanFault6 | Fan 6 fault | |
| ID175 | FanFault7 | Fan 7 fault | |
| ID177 | BMS OVP | BMS overvoltage alarm | Internal error in the connected lithium battery. Switch off the inverter and the lithium battery, wait 5 minutes and then switch the components on again. If the error persists, contact technical support. |
| ID178 | BMS UVP | BMS Undervoltage alarm | |
| ID179 | BMS OTP | BMS High temperature warning | |
| ID180 | BMS UTP | BMS low temperature warning | |
| ID181 | BMS OCP | BMS overload warning during charging and discharging | |
| ID182 | BMS Short | BMS Short circuit alarm | Please contact technical support. |

| | | | |
|-------|------------------|--|--|
| ID183 | BMS VerFault | BMS version fault | |
| ID184 | BMS CAN VerFault | BMS CAN version fault | |
| ID185 | BMS CAN VerLow | BMS CAN version is out of date | |
| ID186 | BatDischargeHTP | Battery overtemperature protection | |
| ID187 | BatDischargeLTP | Low temperature protection for battery discharge | |
| ID188 | BatChargeHTP | Battery charging overtemperature protection | |
| ID189 | AFCICommLose | The arc device communication is faulty | |
| ID190 | BatChargeLTP | Low temperature protection for battery charging | |
| ID191 | PID_Output_Fail | PID repair failure | |
| ID192 | PLC_Com_Fail | The heartbeat of the PLC module is lost | |
| ID193 | StrFuseALM1-1 | String safety open 1-1 | |
| ID194 | StrFuseALM1-2 | String safety open 1-2 | |
| ID195 | StrFuseALM2-1 | String safety open 2-1 | |
| ID196 | StrFuseALM2-2 | String safety open 2-2 | |
| ID197 | StrFuseALM3-1 | String safety open 3-1 | |
| ID198 | StrFuseALM3-2 | String safety open 3-2 | |
| ID199 | StrFuseALM4-1 | String safety open 4-1 | |
| ID200 | StrFuseALM4-2 | String safety open 4-2 | |
| ID201 | StrFuseALM5-1 | String safety open 5-1 | |

| | | | |
|-------|----------------|-------------------------|--|
| ID202 | StrFuseALM5-2 | String safety open 5-2 | |
| ID203 | StrFuseALM6-1 | String safety open 6-1 | |
| ID204 | StrFuseALM6-2 | String safety open 6-2 | |
| ID205 | StrFuseALM7-1 | String safety open 7-1 | |
| ID206 | StrFuseALM7-2 | String safety open 7-2 | |
| ID207 | StrFuseALM8-1 | String safety open 8-1 | |
| ID208 | StrFuseALM8-2 | String safety open 8-2 | |
| ID209 | StrFuseALM9-1 | String safety open 9-1 | |
| ID210 | StrFuseALM9-2 | String safety open 9-2 | |
| ID211 | StrFuseALM10-1 | String safety open 10-1 | |
| ID212 | StrFuseALM10-2 | String safety open 10-2 | |
| ID213 | StrFuseALM11-1 | String safety open 11-1 | |
| ID214 | StrFuseALM11-2 | String safety open 11-2 | |
| ID215 | StrFuseALM12-1 | String safety open 12-1 | |
| ID216 | StrFuseALM12-2 | String safety open 12-2 | |
| ID217 | StrFuseALM13-1 | String safety open 13-1 | |
| ID218 | StrFuseALM13-2 | String safety open 13-2 | |
| ID219 | StrFuseALM14-1 | String safety open 14-1 | |
| ID220 | StrFuseALM14-2 | String safety open 14-2 | |
| ID221 | StrFuseALM15-1 | String safety open 15-1 | |
| ID222 | StrFuseALM15-2 | String safety open 15-2 | |
| ID223 | StrFuseALM16-1 | String safety open 16-1 | |

| | | | |
|-------|----------------|-------------------------|--|
| ID224 | StrFuseALM16-2 | String safety open 16-2 | |
| ID225 | InputFuseALM0 | Enter safety open 0 | |
| ID226 | InputFuseALM1 | Enter safety open 1 | |
| ID227 | InputFuseALM2 | Enter safety open 2 | |
| ID228 | InputFuseALM3 | Enter safety open 3 | |
| ID229 | InputFuseALM4 | Enter safety open 4 | |
| ID230 | InputFuseALM5 | Enter safety open 5 | |
| ID231 | InputFuseALM6 | Enter safety open 6 | |
| ID232 | InputFuseALM7 | Enter safety open 7 | |
| ID233 | InputFuseALM8 | Enter safety open 8 | |
| ID234 | InputFuseALM9 | Enter safety open 9 | |
| ID235 | InputFuseALM10 | Enter safety open 10 | |
| ID236 | InputFuseALM11 | Enter safety open 11 | |
| ID237 | InputFuseALM12 | Enter safety open 12 | |
| ID238 | InputFuseALM13 | Enter safety open 13 | |
| ID239 | InputFuseALM14 | Enter safety open 14 | |
| ID240 | InputFuseALM15 | Enter safety open 15 | |

8.3 Maintenance

Inverters do not generally require daily or routine maintenance. Before carrying out cleaning, ensure that the DC switch and AC circuit breaker between the inverter and power grid have been switched off. Wait at least 5 minutes before carrying out cleaning.

8.3.1 Cleaning the inverter

Clean the inverter using an air blower and a dry, soft cloth or a soft bristle brush. Do NOT clean the inverter with water, corrosive chemicals, cleaning agents etc.

8.3.2 Cleaning the heat sink

In order to help guarantee correct long-term operation of the inverter, make sure that there is sufficient space for ventilation around the heat sink. Check the heat sink for blockages (dust, snow etc.) and remove them if present. Please clean the heat sink using an air blower and a dry, soft cloth or a soft bristle brush. Do NOT clean the heat sink with water, corrosive chemicals, cleaning agents etc.

9 DataSheet

NOTE

- The following parameters may change without notice, please refer to the user manual and DataSheet on our website.

| Model | HYD 5KTL-3PH | HYD 6KTL-3PH | HYD 8KTL-3PH | HYD 10KTL-3PH | HYD 10KTL-3PH-A | HYD 15KTL-3PH | HYD 20KTL-3PH |
|---------------------------------------|-----------------------------|---------------|-----------------|-----------------|-----------------|-----------------|-----------------|
| PV input | | | | | | | |
| Recommended Max. PV Power | 7500Wp | 9000Wp | 12000Wp | 15000Wp | 15000Wp | 22500Wp | 30000Wp |
| Max. Input Voltage | 1000Vd.c. | | | | | | |
| Start-up Voltage | 200Vd.c. | | | | | | |
| Rated Input Voltage | 600Vd.c. | | | | | | |
| MPPT Operating Voltage Range | 180-960 Vd.c. | | | | | | |
| Number of MPPT | 2 | | | | | | |
| Max. Number of Input Strings per MPPT | 1/1 | | | 2/2 | | | |
| Max. Input Current [1] | 16A/16A | | | 32A/32A | | | |
| Max. Isc[2] | 22.5A/22.5A | | | 45A/45A | | | |
| AC Output (Grid) | | | | | | | |
| Rated Output Power | 5 kW | 6 kW | 8 kW | 10 kW | 10 kW | 15 kW | 20 kW |
| Rated Output Current | 7.6/7.2/6.9A | 9.1/8.7/8.3A | 12.1/11.6/11.1A | 15.2/14.5/13.9A | 15.2/14.5/13.9A | 22.7/21.7/20.8A | 30.3/29.0/27.8A |
| Rated Output Voltage | 3(N)~+PE, 380/400/415 Va.c. | | | | | | |
| Rated Output Frequency | 50/60Hz | | | | | | |
| Max. Apparent Power | 5.5 kVA | 6.6 kVA | 8.8 kVA | 11 kVA | 10 kVA | 16.5 kVA | 22 kVA |
| Max. Output Current | 8.3/8.0/7.6A | 10.0/9.6/9.2A | 13.3/12.8/12.2A | 16.7/15.9/15.3A | 15.2/14.5/13.9A | 25.0/23.9/22.9A | 33.3/31.9/30.6A |
| THDI | <3% | | | | | | |
| Power Factor Range | 0.8 lagging-0.8 leading | | | | | | |
| Battery | | | | | | | |
| Battery Type [3] | Lithium-ion & Lead-acid | | | | | | |
| Voltage Range | 180-800 Vd.c. | | | | | | |
| Number of Battery Input Channels | 1 | | | 2 | | | |
| Max. Charging Power | 5 kW | 6 kW | 8 kW | 10 kW | 10 kW | 15 kW | 20 kW |
| Max. Discharging Power | 5 kW | 6 kW | 8 kW | 10 kW | 10 kW | 15 kW | 20 kW |
| Max. Charging Current | 25 A | 25 A | 25 A | 25/25 A | 25/25 A | 25/25 A | 25/25 A |
| Max. Discharging Current | 25 A | 25 A | 25 A | 25/25 A | 25/25 A | 25/25 A | 25/25 A |
| BMS Communication | CAN/RS485 | | | | | | |
| AC Output (Backup) | | | | | | | |
| Rated Output Power | 5 kW | 6 kW | 8 kW | 10 kW | 10 kW | 15 kW | 20 kW |

| Model | HYD 5KTL-3PH | HYD 6KTL-3PH | HYD 8KTL-3PH | HYD 10KTL-3PH | HYD 10KTL-3PH-A | HYD 15KTL-3PH | HYD 20KTL-3PH |
|---|--------------------------------------|---------------|-----------------|-----------------|-----------------|-----------------|-----------------|
| Rated Output Current | 7.6/7.2/6.9A | 9.1/8.7/8.3A | 12.1/11.6/11.1A | 15.2/14.5/13.9A | 15.2/14.5/13.9A | 22.7/21.7/20.8A | 30.3/29.0/27.8A |
| Rated Output Voltage | 3N~+PE, 380/400/415 Va.c. | | | | | | |
| Rated Output Frequency | 50/60Hz | | | | | | |
| Rated Apparent Power | 5 kVA | 6 kVA | 8 kVA | 10 kVA | 10 kVA | 15 kVA | 20 kVA |
| Max. Apparent Power | 5.5 kVA | 6.6 kVA | 8.8 kVA | 11 kVA | 11 kVA | 16.5 kVA | 22 kVA |
| Peak Output Apparent Power | 7500VA, 60s | 9000VA, 60s | 12000VA, 60s | 15000VA, 60s | 15000VA, 60s | 22500VA, 60s | 26000VA, 60s |
| Max. Output Current | 8.3/8.0/7.6A | 10.0/9.6/9.2A | 13.3/12.8/12.2A | 16.7/15.9/15.3A | 15.2/14.5/13.9A | 25.0/23.9/22.9A | 33.3/31.9/30.6A |
| THDv(@ linear load) | <3% | | | | | | |
| Switching Time | 10ms default | | | | | | |
| Efficiency | | | | | | | |
| Max. MPPT Efficiency | 99.9% | | | | | | |
| Max. Efficiency | 98.0% | 98.0% | 98.0% | 98.2% | 98.2% | 98.2% | 98.2% |
| European Efficiency | 97.5% | 97.5% | 97.5% | 97.7% | 97.7% | 97.7% | 97.7% |
| Max. Efficiency of Charging/Discharging [4] | 97.6% | 97.6% | 97.6% | 97.8% | 97.8% | 97.8% | 97.8% |
| Protection | | | | | | | |
| DC Switch | Yes | | | | | | |
| PV Reverse Connection Protection | Yes | | | | | | |
| Battery Reverse Connection Protection | Yes | | | | | | |
| Output Short Circuit Protection | Yes | | | | | | |
| Output Overcurrent Protection | Yes | | | | | | |
| Output Overvoltage Protection | Yes | | | | | | |
| Insulation Impedance Detection | Yes | | | | | | |
| Residual Current Detection | Yes | | | | | | |
| Anti-island Protection | Yes | | | | | | |
| Surge Protection | PV:Type II , AC:Type II | | | | | | |
| General Parameters | | | | | | | |
| Operating Temperature Range | -30°C to 60°C (derating above +45°C) | | | | | | |
| Relative Humidity Range | 5%-95% | | | | | | |
| Max. Operating Altitude | 4000m (derating above 2000 m) | | | | | | |
| Standby Self-consumption [5] | <25W | | | | | | |
| Inverter Topology | Non-Isolation | | | | | | |
| Installation Method | Wall Mounted | | | | | | |
| IP Rating | IP65 | | | | | | |
| Dimensions (W*H*D) | 587*515*261 mm | | | | | | |
| Cooling Mode | Natural | | | Forced airflow | | | |
| Weight | 33 kg | 33 kg | 33 kg | 37kg | 37kg | 37kg | 37kg |

| Model | HYD 5KTL-3PH | HYD 6KTL-3PH | HYD 8KTL-3PH | HYD 10KTL-3PH | HYD 10KTL-3PH-A | HYD 15KTL-3PH | HYD 20KTL-3PH |
|---------------|---------------------------------|-----------------|-----------------|------------------|--------------------|------------------|------------------|
| Communication | RS485/CAN/WiFi, Optional:LAN/4G | | | | | | |
| Display | LCD & APP | | | | | | |

- [1] PV Max. Input Current may change(12.5A to 16A;25A to 32A), please refer to the label on the body.
- [2] PV Max. I_{sc} may change(15A to 22.5A;30A to 45A), please refer to the label on the body.
- [3] Please refer to document "SOFAR inverter Model compatible battery list"
- [4] Battery-AC maximum efficiency of battery charge and discharge
- [5] Standby loss at rated input voltage

Version 10.0



ENERGY TO POWER YOUR LIFE

ADDRESS

11/F., Gaoxinqi Technology Building,
Xingdong Community, Xin'an Sub-district,
Bao'an District, Shenzhen City, China

EMAIL

info@sofarsolar.com

WEBSITE

www.sofarsolar.com

