

QuiPower Core 300470

Table of contents

Bl. 02	Layout outer
Bl. 03	Layout component
Bl. 04-05	Circuit diagram
Bl. 06	External connections

Note

Use bootlace ferrules on 230V cables
Follow installation instructions for each
component regarding stripping wires

Seperate internal 230V cables
from other cables

Drawing number



* 3 - 8 2 0 2 3 0 E - R 2 *

NR.	CHANGE	SIGN.	DATE

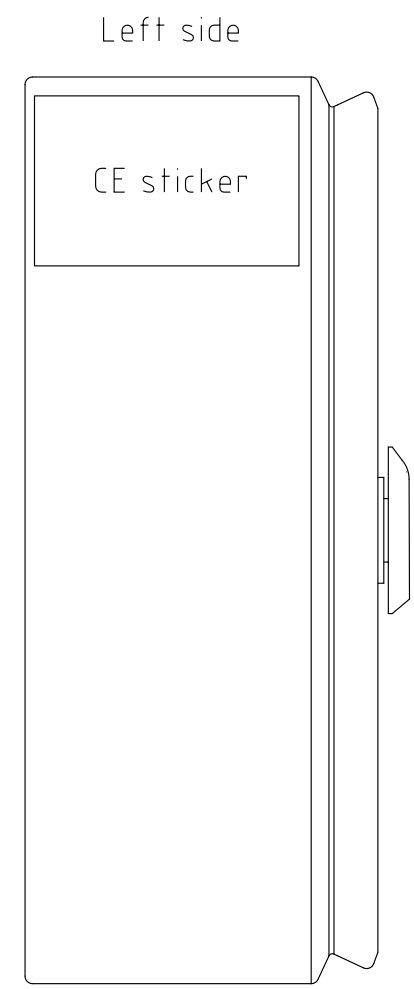
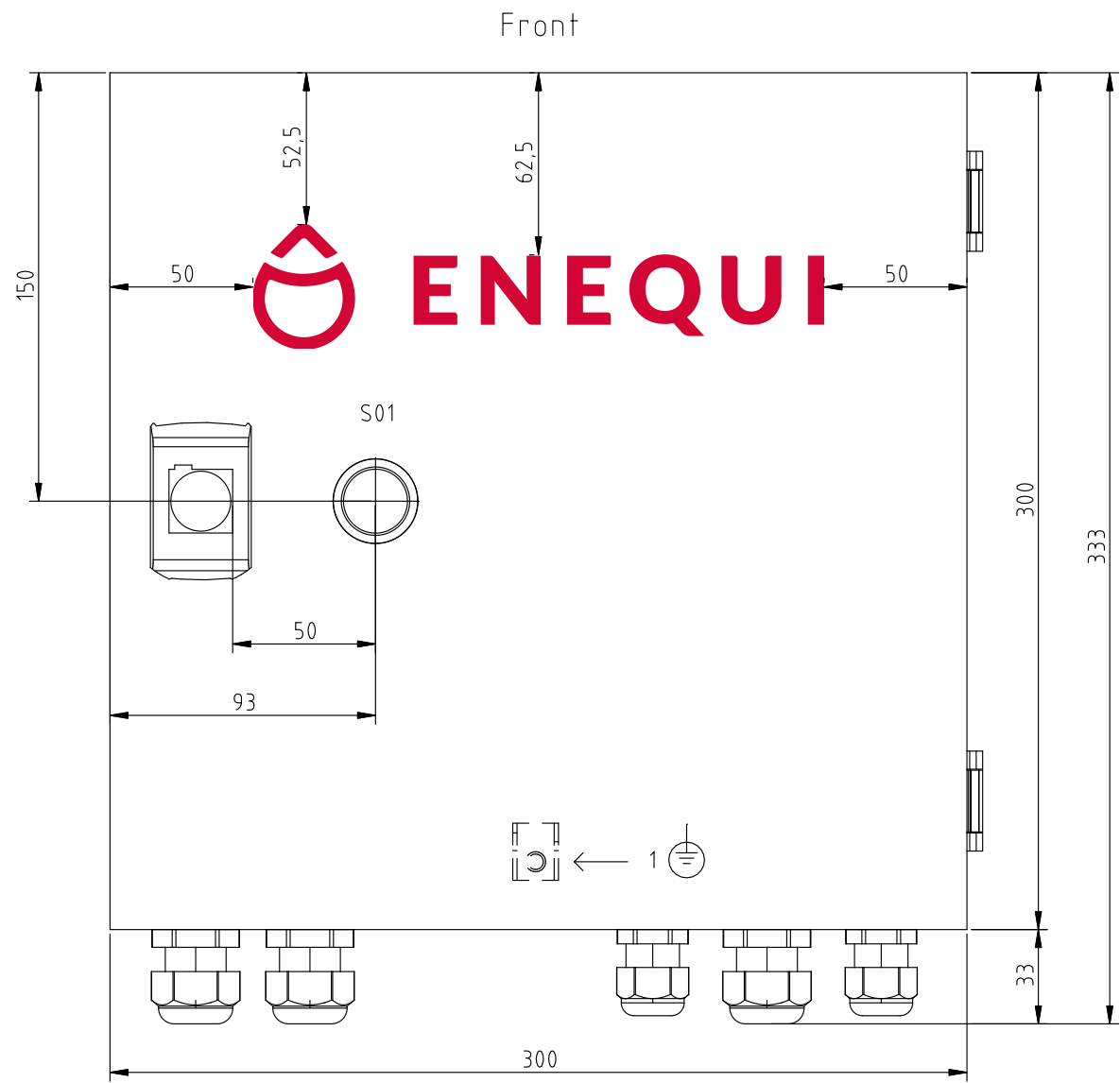
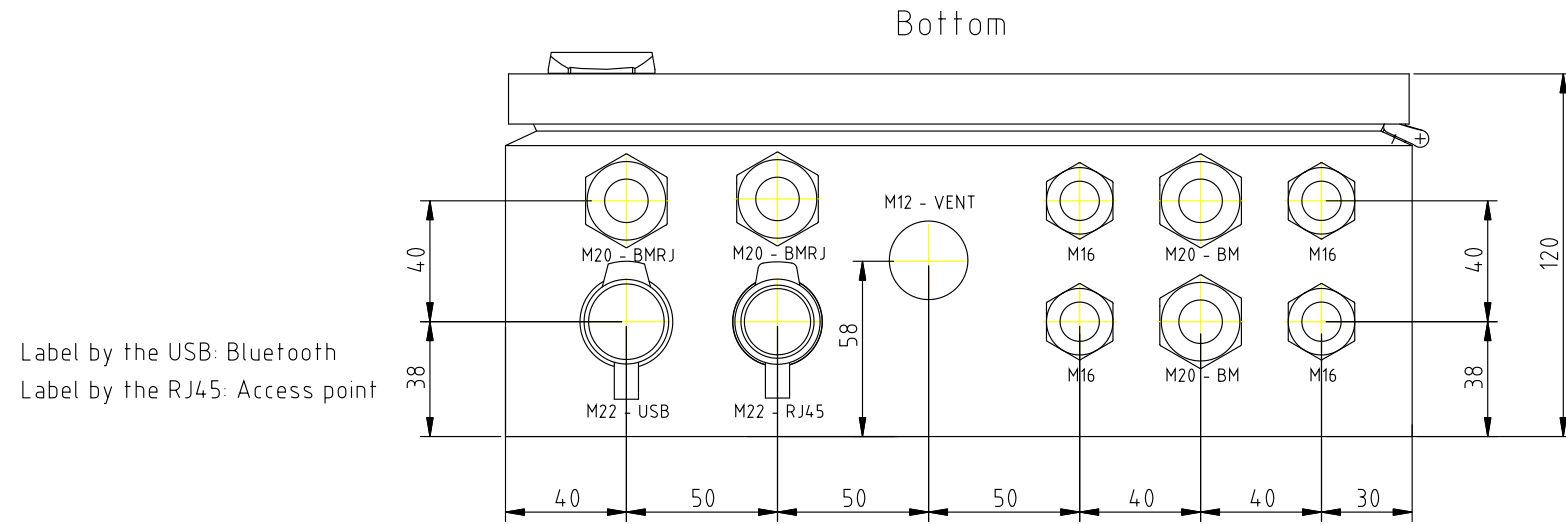


Enequi 300470

QuiPower Core HW 02

Cover page

CONSTR. BY	FILE NAME	DRAWING NUMBER	
J.J.		3-820230E	
DATE	REV.	CONT.	SHEET
2023-02-22	R2	02	01



Protective ground X06 2,5mm
1. Door (inside)

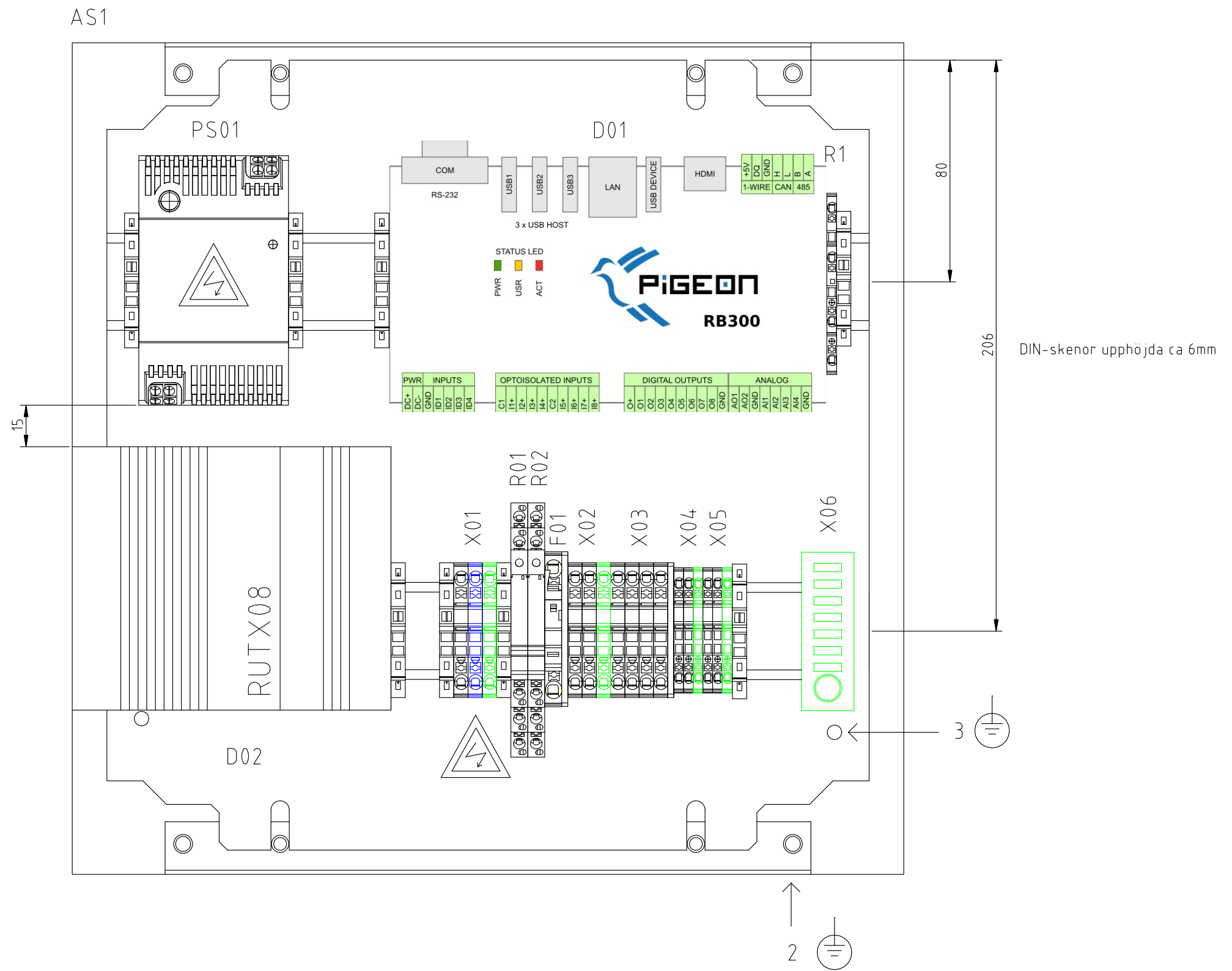
NR.	CHANGE	SIGN.	DATE



Enequi 300470
QuiPower Core HW 02
Layout outer

CONSTR. BY	FILE NAME	DRAWING NUMBER	
J.J.		3-820230E	
DATE	REV.	CONT.	SHEET
2023-02-22	R2	03	02

This drawing remains our property. Reproduction, displaying, disclosing or unauthorized use of it without consent is prohibited and punishable by law.



Scale 6:1
Measurements in mm

- Protective grounds X06 2,5mm
- 2. Enclosure
- 3. Mounting plate

NR.	CHANGE	SIGN.	DATE

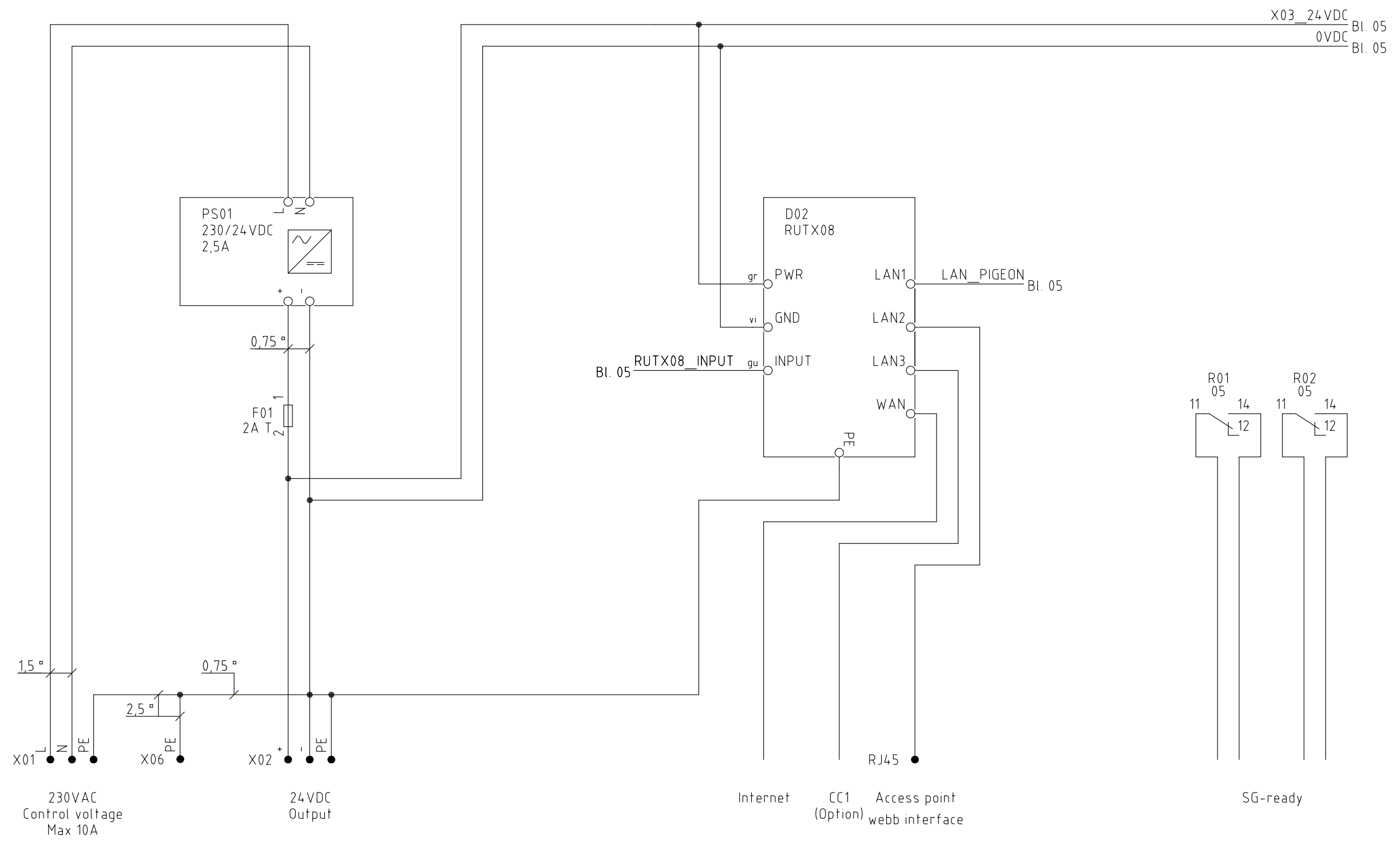


Enequi 300470

QuiPower Core HW 02

Layout component

CONSTR. BY	FILE NAME	DRAWING NUMBER	
J.J.		3-820230E	
DATE	REV.	CONT.	SHEET
2023-02-22	R2	04	03



This drawing remains our property. Reproduction, displaying, disclosing or unauthorized use of it without consent is prohibited and punishable by law.

R2	RD01 removed, PS01 changed	J.J.	230222
	X02 changed to output		
NR.	CHANGE	SIGN.	DATE

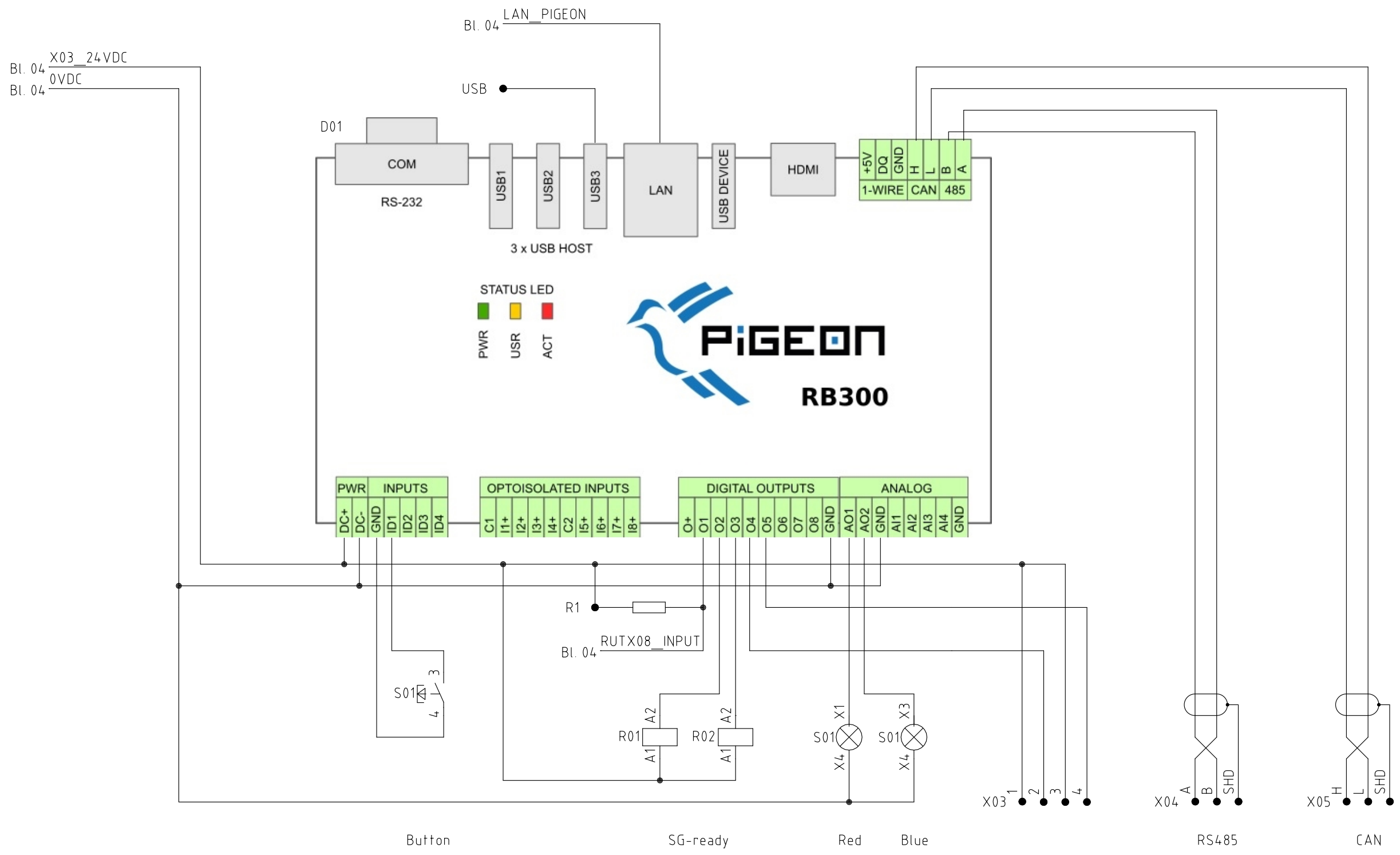


Enequi 300470

QuiPower Core HW 02

Circuit diagram

CONSTR. BY J.J.	FILE NAME	DRAWING NUMBER 3-820230E	
DATE 2023-02-22	REV. R2	CONT. 05	SHEET 04



This drawing remains our property. Reproduction, displaying, disclosing or unauthorized use of it without consent is prohibited and punishable by law.

NR.	CHANGE	SIGN.	DATE

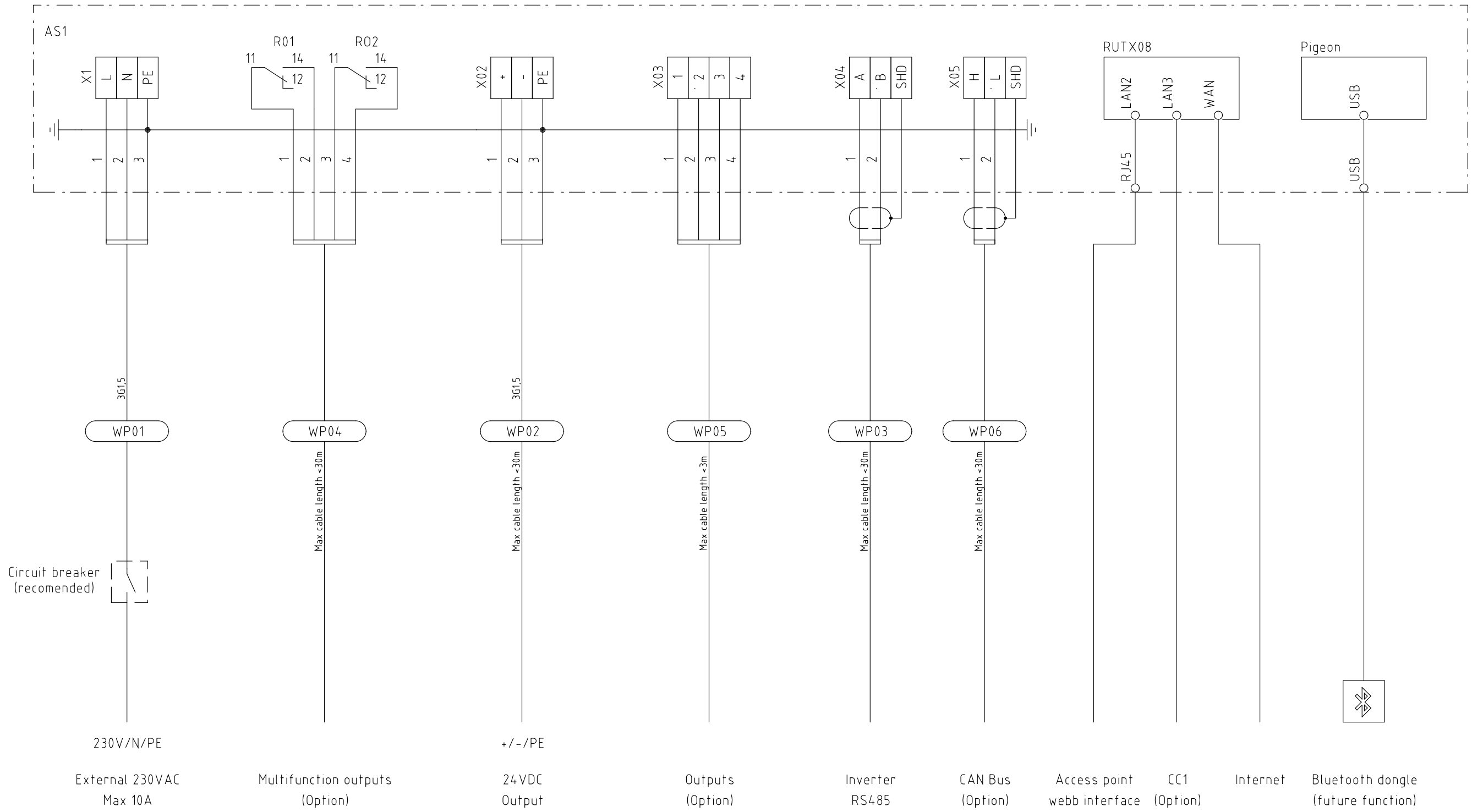


Enequi 300470

QuiPower Core HW 02

Circuit diagram

CONSTR. BY	FILE NAME	DRAWING NUMBER	
J.J.		3-820230E	
DATE	REV.	CONT.	SHEET
2023-02-22	R2	06	05



This drawing remains our property. Reproduction, displaying, disclosing or unauthorized use of it without consent is prohibited and punishable by law.

NR.	CHANGE	SIGN.	DATE



Enequi 300470

QuiPower Core HW 02

External connections

CONSTR. BY J.J.	FILE NAME	DRAWING NUMBER 3-820230E	
DATE 2023-02-22	REV. R2	CONT. -	SHEET 06